

# LIDSAVER™ Change-out Instructions

The following instructions are intended to assist in the conversion of the original factory lid setting to dispense your new lid.

## Necessary Tools

- Pager adjustment template (provided)
- Replacement lid claws “A” and “B” side (provided)
- Replacement “Lid plate” (provided)
- Standard screwdriver
- #2 Standard Phillips screwdriver
- Security Torx Wrench (provided)

## NOTE:

To help you understand how the LidSaver™ operates read the following:

- The claws are set to the depth of the lid to ensure proper removal and dispensing of the lid (figure 1).
- The pagers determine proper alignment and fit snugly against the lids inside the LidSaver (figure 4).

Be absolutely sure the manufacturing and model number of the “pager adjustment template” and the “lid claws” match the new cup-lid to be dispensed.

## Installation Instructions Steps

1. Using the Phillips screwdriver, remove the four “housing screws” (figure 1)
2. Remove the “housing” by pulling forward and allow the housing to flex around the side edges of the open door (figure 2).
3. Unhook each of the two (2) door springs to allow door to remain open during this procedure. Door springs can be easily unhooked using a standard screw driver inserted into the front loop and pulled free.
4. Remove the lid plate (figure 3) by rotating counter-clockwise.
5. Using the standard screwdriver, loosen nylon screws and remove the current “lid claws” “side A” and B” from inside the door (figure 1).

6. Using the Torx wrench, loosen each of the four (4) “pagers” and slide to the outer most position (figure 3).

7. Locate the “pager adjustment template” around the three (3) “pager template posts” (figure 3).

8. Slide each of the “pagers” inward until each gently contacts the “pager adjustment template”. Firmly tighten each “pager” in this position (figure 3). Remove the “pager adjustment template” once the “pagers” have been tightened by tipping the “pager adjustment template” forward or backward to clear the forward portions of the “pagers”

9. Install the replacement “Lid Plate” by rotating clockwise until firmly snug (figure 3)

10. Hook each of the two (2) door springs back on the door using a screw driver and pulling on spring loops (removed in step #3).

11. Re-install the “LidSaver™ housing” as depicted in steps 1 and 2

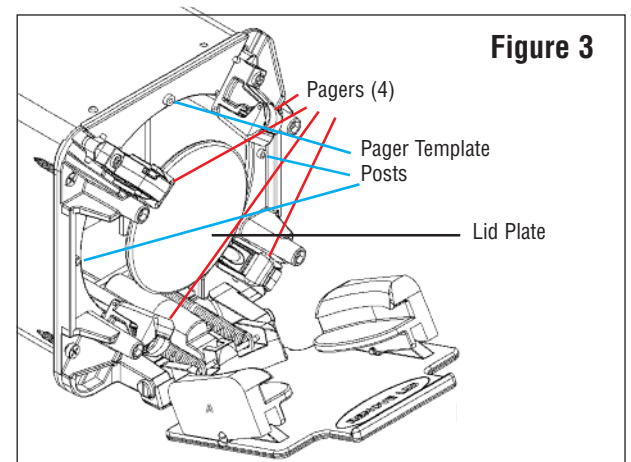
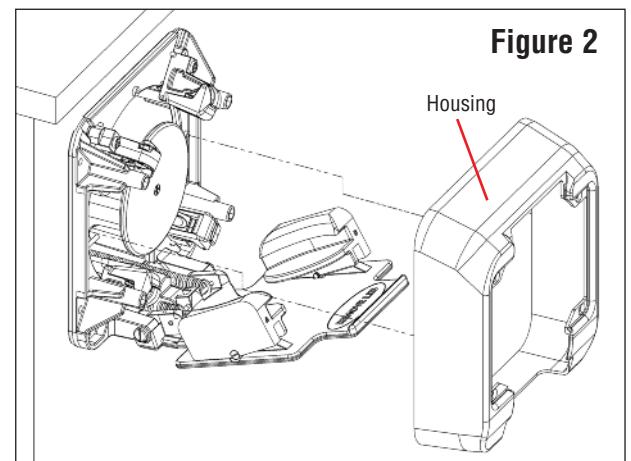
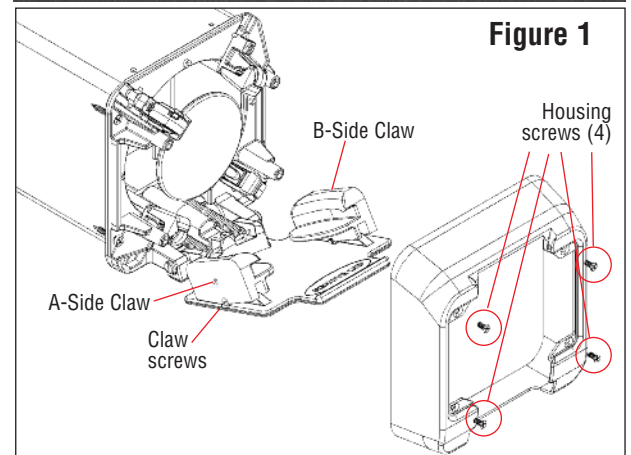
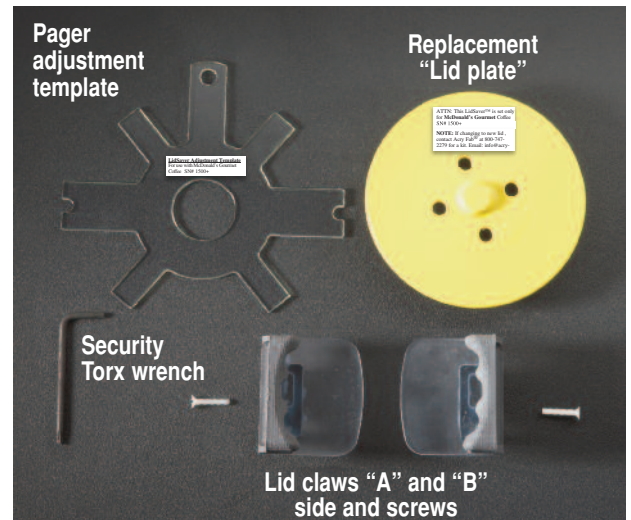
12. Using the standard #2 standard screwdriver install the provided replacement “claws”. Position “claw A” on the left and “claw B” on the right with the letters facing forward (figure 1). Both “claws A and B” must pivot freely to perform correctly. If either claw does not pivot freely, loosen the nylon screws 1/8 to 1/4 turn.

13. Partially load the LidSaver™ to near empty with the new lids that match the newly installed “claws” and new “pager” settings and dispense a few. Then, fully load the LidSaver™ and repeat dispensing to confirm proper operation.

**FINAL NOTE:**  
To insure proper operation do not overfill the LidSaver™.

## Four McDonald’s LSCO Kits:

- LSCO-McD Child
- LSCO-McD Sm/Med
- LSCO-McD Large
- LSCO-McD Coffee



# ACRY FAB

584 Progress Way  
Sun Prairie, WI 53590  
Tel: (608) 837-0045  
Fax: (608) 837-1031

Toll Free: (800) 747-2279  
E-Mail: [info@acryfab.com](mailto:info@acryfab.com)  
Web: [www.lidsaver.com](http://www.lidsaver.com)