



REFRESH PRO

INTERACTIVE POST-MIX ICE DRINK DISPENSER

Fun and easy new scrolling interface for brand selection

Large Digital Merchandising & Promotional Space

Utilizes Standard BIB syrup

Up to 20 brands **(10 per side)**

Up to 8 Flavors **(4 per side)**

Easy-to-Clean Splash Panel



Dual-Touch Screen and User Interface

Multi-Flavor Valves

Integrated Ice Maker Kit

Lighting for Targeting Drink into Cup

ADA Compliant

FEATURES

NEW! Tap and scroll interface to select your choices

Interactive Dispense - Up to 20 brands (10 on each side 7 chilled and 3 ambient) and up to 8 flavor shots (4 per side), over 3,260 drink combinations

Dispense Points - Dual touch screen/dual nozzle for simultaneous brand and flavor dispense

Flavor Shot - Blends with drink or top off for extra flavor

Large Ice Capacity - 255 lb. ice capacity

Flexible - Can dispense cubed or chewable soft ice

Universal Adapter Kit - No adapter kit required for standard ice makers 22"W x 24"D or 30"W x 24"D

Merchandising - Commercial-grade HD promotional display 32" diagonal customizable video merchandiser delivers unique marketing message

Durable - One-piece ABS thermoformed plastic (Durabide™ design) provides durability and ensures all ice in hopper is dispensable

Ease of Use - Modular design allows for easy component access from the front of the unit

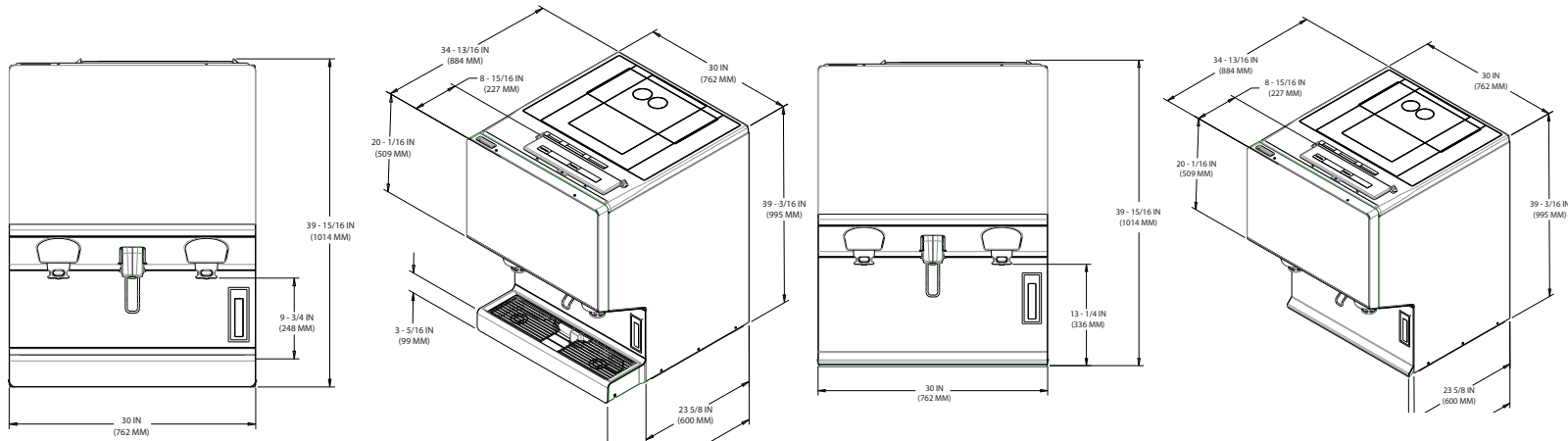
Easy to Clean - Polycarbonate material, merchandising, and lower panel. Scratch resistant.

ADA Compliant - Meets ADA requirements on a 34" counter



Refresh PRO with drip tray

Refresh PRO without drip tray



PART NUMBER	DESCRIPTION
621058649	Refresh PRO 255 with drip tray
621058650	Refresh PRO 255 Z-Style (without drip tray)

Units come standard with universal adapter kit. No adapter required for standard ice makers 22"W x 24" D or 30"W x 24"D. For ice makers of a different size, contact Customer Care.

TECHNICAL SPECIFICATIONS

DIMENSIONS 39 3/16"H x 30"W x 34 1/2"D

SCREEN DIMENSIONS 32" Diagonally

VIDEO FORMAT MP4 (H.264) (1920x800)

VIDEO MAX SIZE 2GB

BRAND IMAGE FORMATpng (175x175 pixels)

FLAVOR SHOT IMAGE FORMAT . . .png (225x225 pixels)

COUNTER WEIGHT 440 lb (plus ice weight)

SHIPPING WEIGHT 545 lb

CAPACITY 255 lb ice bin capacity for cubed & chunklet (compressed) ice

AMP DRAW 120 V / 60 Hz / 8.5 Amps

ELECTRICAL RATING 115 V +/- 10% (only requires single outlet)

WATER SUPPLY PRESSURE 50-60 psi at pump

CO₂ 75 psi

STANDARD FEATURES Timed agitation, electronic beverage keyswitch and 4" legs

20 BRAND SYRUPS:
(14 CHILLED / 6 AMBIENT) 60 psi/min

8 FLAVOR SHOT SYRUPS:
(AMBIENT) 30 psi/max

VALVE Electronic TotalFlex 20 touch screen brands(10/nozzle) 8 touch screen flavor shots (4 per nozzle)

FLOW RATE FOR BRANDS 3oz./sec valves

CUP CLEARANCE 9.75"

AGENCY LISTINGS



City of Los Angeles

Coca-Cola has approved the use of Trademarks but use of the Trademarks does not imply that Coca-Cola has approved or endorses the equipment.



© 2016 CORNELIUS CATM8734-0616

IN THE U.S.A.
Ph: 800.238.3600
Fax: 800.258.0255

OUTSIDE THE U.S.A.
Ph: 763.488.8200
Email: webmaster@cornelius.com

101 Broadway Street West
Osseo, MN 55369
www.cornelius-usa.com

For more information or to place an order, contact your sales representative or authorized distributor.