

VZN+SI Base Filtration Package



VZN-441V



SI-XL



VZN-441V system tested and certified by NSF International against NSF/ANSI:

Standard No. 42: Aesthetic Effects
Nominal Particulate Reduction
Class 1.

Standard No. 53: Health Effects
Cyst Reduction
Turbidity Reduction
as verified and substantiated
by test data.



The VIZION™ brand offers filtration systems that deliver high-quality ingredient water to the entire McDonald's beverage portfolio, ensuring superior beverages and minimizing the restaurant's operating costs.

The VZN systems use a self-cleaning ultrafilter ahead of a low-cost carbon cartridge in order to separate mechanical filtration from taste and odor reduction. This self-cleaning and separation assures the full stated life expectancy of the carbon cartridge and provides it with mechanically pure water, which eliminates premature clogging.

The SI-XL is a unique composition blend that inhibits the lime scale caused by hard water minerals. The system also controls staining by the precipitation of iron and manganese.

VZN-441V Features

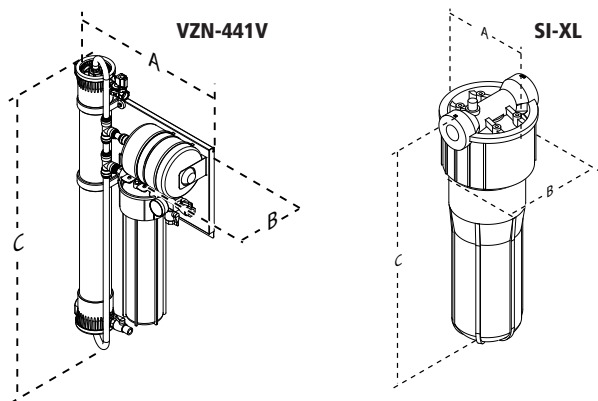
- .015 micron ultrafilter removes particles 33 times finer than .5 micron filtration, assuring consistent high quality water.
- Self-cleaning particle reduction assures low maintenance costs.
- Separation of mechanical filtration from taste and odor reduction assures only one low-cost carbon cartridge change every six months.
- Mounts on the Multiplex or wall.
- Small footprint ideal for small back rooms.
- Two years parts and labor warranty.

SI-XL Features

- Patented anti-scale dispensing system.
- Reduces scaling on ice machines and drip-brew coffee brewers.
- Controls staining from iron and manganese.

VZN+SI Base Filtration Package

Dimensions



Model & Mfg. No.	Width (A)	Depth (B)	Height (C)	Operating Weight
VZN-441V 9700741	24" (61 cm)	10 1/8" (26 cm)	49 5/16" (125 cm)	83 lbs. (38 kg)
SI-XL 9700901	5 3/8" (14 cm)	5 1/4" (13 cm)	14" ♦ (36 cm)	10 lbs. (5 kg)

♦ Height with Mounting Bracket is 16" (41 cm)

Shipping Dimensions

Model & Mfg. No.	Length	Width	Height	Weight
VZN-441V 9700741	52" (132 cm)	12" (30 cm)	29" (74 cm)	59 lbs. (27 kg)
SI-XL 9700901	17" (43 cm)	12" (30 cm)	18" (46 cm)	8 lbs. (3.6 kg)

Capacities

Model & Mfg. No.	Capacity Per Minute	UF Length	No. of Carbon Elements
VZN-441V 9700741	13 gal. (49 liters)	40" (102 cm)	1
SI-XL 9700901	6 gal. (22.7 liters)	n/a	n/a

Expected Life Span

VZN-441V	Carbon Cartridge	6 months
VZN-441V	Ultrafilter Cartridge	3-5 years*

*with municipal water

VZN-441V: Electrical Ratings and Plug Configurations

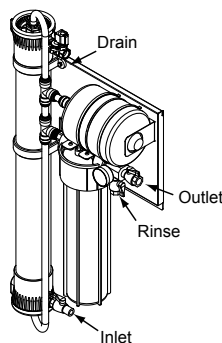
Model & Mfg. No.	Volts	Watts	Amps	Hertz
VZN-441V 9700741	100-240	10	.08	50/60

NOTE: Includes plug adaptors for US, Europe, Australia, and UK.

VZN-441V: Specifications

Maximum Operating Pressure	100 psig (690 kPa)
Maximum Operating Temperature	104°F (40°C)
Nominal Pore Size	.015 microns
pH Range	6.5-8.5
MWCO	100-150 kD

VZN-441V: Plumbing Connections



Inlet	3/4" MNPT
Outlet	3/4" MNPT
Drain	3/4" FNPT
Rinse	3/4" GHT

Replacement Cartridges

System	Cartridge	Quantity Needed	Part Number
VZN-441V	Carbon	1	7000669
VZN-441V	Ultrafilter	1	7000412
SI-XL	Scale	1	7000540