



# BEVERAGE-AIR

3779 Champion Blvd., Winston-Salem, NC 27105  
1-888-845-9800 Fax# 1-336-245-6453  
<http://www.Beverage-Air.com>

## Commercial Refrigeration Equipment General Specification

### CABINET CONSTRUCTION

Heavy-duty construction includes stainless front (doors and grilles). Exterior sides are stainless steel. Exterior top, back and bottom are stainless steel. Cabinet includes interior thermometer and interior fluorescent light.

Two shelves per door section standard.

Foamed-in-place CFC and HCFC-free polyurethane insulation enhances the structural strength of the cabinet and helps increase energy efficiency.

RI18-HGS model features (1) "half-size glass door" and (1) "half-size solid door." RI18-HS-26 model features (2) "half-size doors". RID18 Pass-Thru models feature (1) "half-size glass door" and (1) "half-size solid door" per side. Doors attach to cabinet on cam-lift hinges. Hinges permit doors to stay open at 120° and gravity self-close. A plug-in type, vinyl magnetic gasket is attached to each door. Three-inch heavy-duty casters included, two with brakes standard.

### REFRIGERATION

Balanced refrigeration system is located at bottom of cabinet. System uses R134a refrigerant, which is CFC and HCFC-free for compliance with environmental safety concerns.

### SPECIAL FEATURES

- RI18-HGS model features (1) "half-size glass door" and (1) "half-size solid door."
- RI18-HS-26 model features (2) "half-size doors."
- RID18 Pass-Thru models feature (1) "half-size glass door" and (1) "half-size solid door" per side.
- 3" casters included, two with brakes standard.

Item No. \_\_\_\_\_  
Quantity \_\_\_\_\_

## BOTTOM MOUNTED REACH-IN & PASS-THRU REFRIGERATORS RI18 SERIES

MODELS:  
RI18-HGS  
RI18-HS-26  
RID18-HGS



**RI18-HGS**

Available From:



\*Note: Not all markings may apply to all model variations.

<b>Model Specified</b> _____	<b>Store#</b> _____
<b>Location</b> _____	<b>Quantity</b> _____



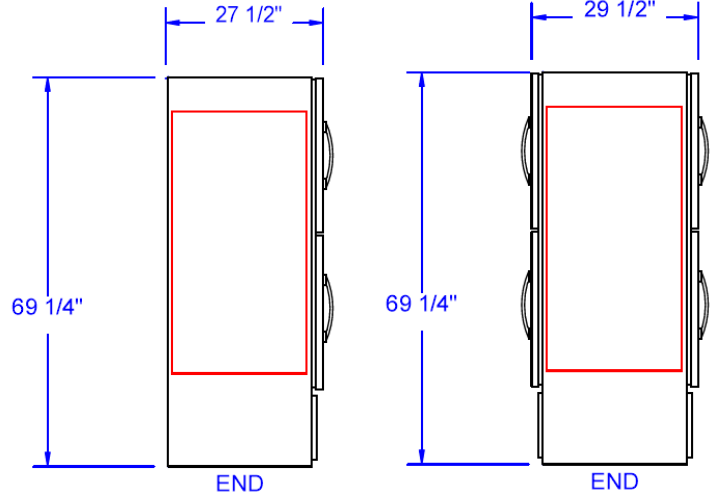
**BEVERAGE-AIR**

**Bottom Mount, RI18 Series Refrigerators**

Models: RI18-HGS, RID18-HGS

MODEL	RI18-HGS	RI18-HS-26	RID18-HGS
<b>EXTERNAL DIMENSIONAL DATA</b>			
Length Overall (inches)	27 1/4"	27 1/4"	27 1/4"
Length Overall (mm)	692	692	692
Depth Overall—(inches) less handle	27 1/2"	27 1/2"	29 1/2"
Depth Overall—(mm) less handle	699	699	749
Height Overall—(inches) less casters	69 1/4"	69 1/4"	69 1/4"
Height Overall—(mm) less casters	1759	1759	1759
Number of doors	2	2	4
<b>INTERNAL DIMENSIONAL DATA</b>			
NET Capacity (cubic ft.)	18	18	18
NET Capacity (Liters)	510	510	510
Internal Length Overall (inches)	24"	24"	24"
Internal Length Overall (mm)	610	610	610
Internal Depth Overall (inches)	24"	24"	24"
Internal Depth Overall (mm)	610	610	610
Internal Height Overall (inches)	46 1/2"	46 1/2"	46 1/2"
Internal Height Overall (mm)	1181	1181	1181
Number of shelves	4	4	4
<b>ELECTRICAL DATA</b>			
Full Load Amperes 115/60/1	5.9	5.9	5.9
<b>REFRIGERATION DATA</b>			
Horsepower	1/4	1/4	1/4
<b>WEIGHT DATA</b>			
Gross Weight (Crated lbs)	339	339	339
Gross Weight (Crated kg)	154	154	154

**PLAN VIEWS**



**RI18-HGS  
RI18-HS-26**

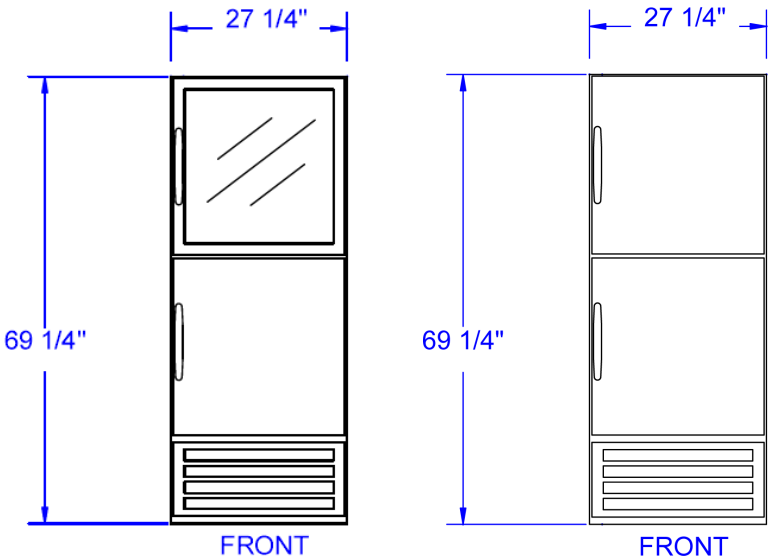
**RID18-HGS**



\*Note: Not all markings may apply to all model variations.

**ELECTRICAL CONNECTION**

Units pre-wired at factory and include 8' long cord and plug set.



**RI18-HGS/RID18-HGS**

**RI18-HS-26**

**BEVERAGE-AIR® CORPORATION**

3779 Champion Blvd. • Winston-Salem, NC 27105 USA • (336) 245-6400 • Fax (336) 245-6453 • (888) 845-9800 • www.beverage-air.com

Specifications are subject to change without prior notice. 04/11