

Infusion Tea Brewer



**Model ITCB with
TDO-N Dispenser
and Locater Guide**

(dispenser and locater guide not included)
Dimensions: 34.37" H x 11.53" W x 23.78" D
(87.3cm H x 29.3cm W x 60.4cm D)

Features

Perfect iced tea from a brewer less than 12" wide

- Three preset button selections
 1. Sweet Tea Step 1 (dispenses 32 ounces of hot water)
 2. Sweet Tea Step 2 (balance of Sweet Tea recipe)
 3. Unsweet Tea
- Higher capacity than BUNN TB3Q, large tank provides back-to-back brewing capacity and abundant hot water
- 208 volt wiring provides rapid tank recovery
- Brew lock out feature ensures perfect water temperature for every brew
- Digital temperature control
- Energy-saver mode reduces tank temperature during idle periods
- Display advertising messages and machine status
- Brew counter keeps track of how many batches brewed
- Hot water faucet provides an additional source for hot water needs
- English and Spanish alphanumeric display

Related Products

TDO-N – Tea Dispenser

Product No. : 39600.0000
Capacity: 4 gallons
Weight: 12.3 lbs.
Dimensions:
21" H x 6" W x 23.6" D
53.3cm H x 15.2cm W x 60cm D



Replacement Lid

Product No. : 39624.0000



Yellow Pouchpack Tea Funnel

Product No. : 39756.0001



TDO-N 4.0 LP– Tea Dispenser

Product No. : 39600.0006
Capacity: 4 gallons
Weight: 9.3 lbs.
Dimensions:
12.2" H x 6" W x 23.6" D
30.99cm H x 15.2cm W x 60cm D



TDO-N Locater Guide

Product No. : 39696.0000



Model

ITBC

Agency Listing



Dimensions & Specifications

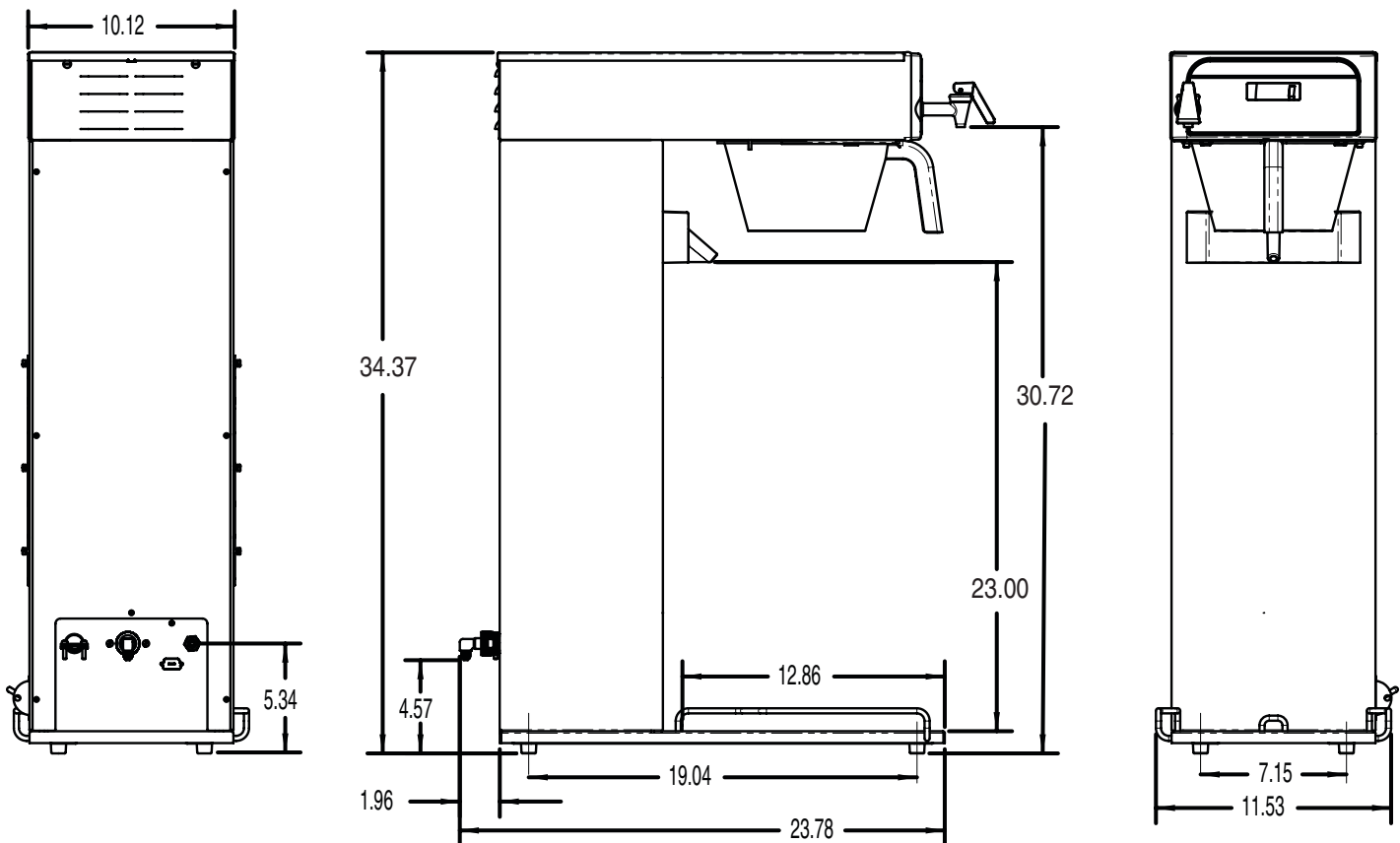
Model	Product #	Volts	Amps	Tank Heater Watts	Total Watts	Tea Brewing Capacity	Cubic Measure	Shipping Weight	Cord Attached
ITCB-DV	35700.0338	120/208	13	2611	2650	40 gal/hr	10.3 ft ³	50 lbs.	Yes*

ITCB-DV Set SET00.0884 includes 35700.0338 brewer, 39600.0000 TDON and 39696.0000 locator guide

*Power cord (NEMA L14-20) 20Amp

Electrical: Requires 3 wires plus ground service rated 120/208V, single phase, 60Hz.
An internal terminal block is configured for connection to a 3-wire plus ground.

Plumbing: 20-90 psi (138-621 kPa). Model supplied with a 1/4" male flare fitting. Requires minimum 1GPM water flow.



Bunn-O-Matic® Corporation - 1400 Stevenson Drive Springfield, Illinois 62703 • 800-637-8606 • 217-529-6601 • Fax 217-529-6644 • www.bunn.com

BUNN® practices continuous product research and improvement. We reserve the right to change specifications and product design without notice. Such revisions do not entitle the buyer to corresponding changes, improvements, additions or replacements for previously purchased equipment.

All dimensions shown in inches.

11/10 © Bunn-O-Matic Corporation