



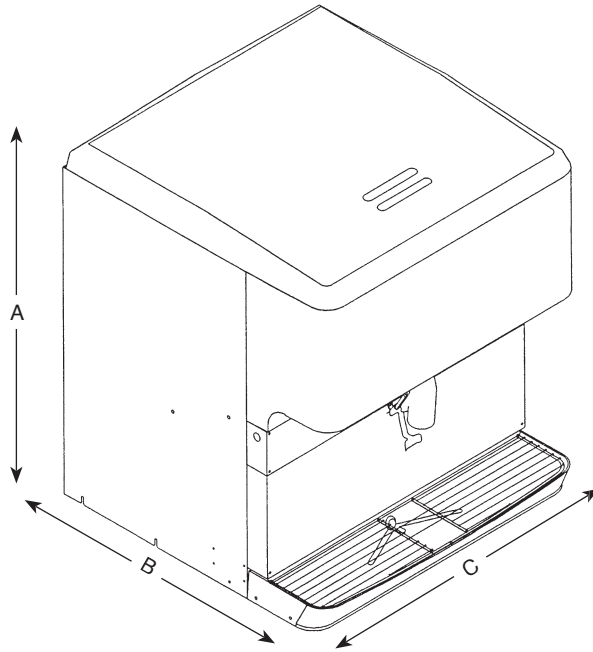
ENDURO ICE DISPENSERS

WITHOUT ICE MAKERS



FEATURES:

- Rounded stainless steel exterior provides a stylish appearance
- Gravity ice dispensing with positive shutoff provides excellent ice targeting
- Insulated drip tray prevents condensation
- Water valve option is available
- Enduro 150, 200 and 250 include 4" legs
- One-piece ABS thermoformed plastic ice hopper (Durabide™ design) provides durability and ensures all ice in hopper is dispensable
- All components accessible from front of unit



PART NUMBER	MODEL	ICE STORAGE CAPACITY	A	B	C
621022460	Enduro 150	150 lb (68 kg)	35.62" (90 cm)	30" (76 cm)	22" (56 cm)
621022560	Enduro 200	200 lb (91 kg)	35.62" (90 cm)		30" (76 cm)
621022740	Enduro 250	250 lb (113 kg)	36.94" (94 cm)		30.69" (77 cm)
621024560	Enduro 300	300 lb (136 kg)	64" (162 cm)		44.62" (113 cm)
08017	Leg Kit for Enduro 300 (includes 6-4" legs)				



Note: If legs are installed, height increases 4" (10.2 cm)

TECHNICAL SPECIFICATIONS:

CUP CLEARANCE 10"

ELECTRICAL RATING 15 V / 60 Hz / 4 Amps

SHIPPING WEIGHT Enduro 150: 151 lb (68 kg)
 Enduro 200: 197 lb (89 kg)
 Enduro 250: 201 lb (91 kg)
 Enduro 300: 251 lb (114 kg)

AGENCY LISTINGS  
 City of New York
 City of Los Angeles

