

# ENERGIZE6

## BEVERAGE DISPENSING SYSTEM



### FEATURES

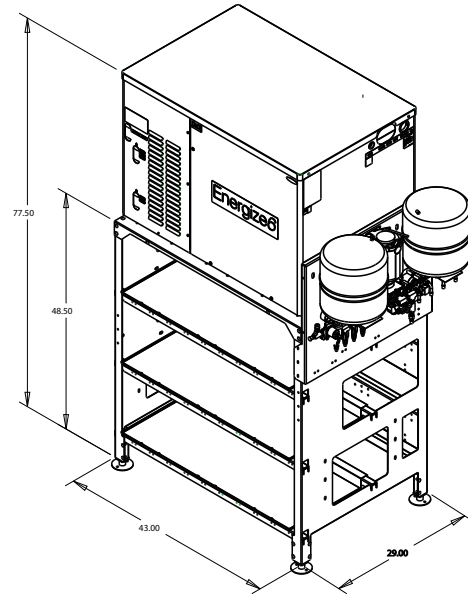
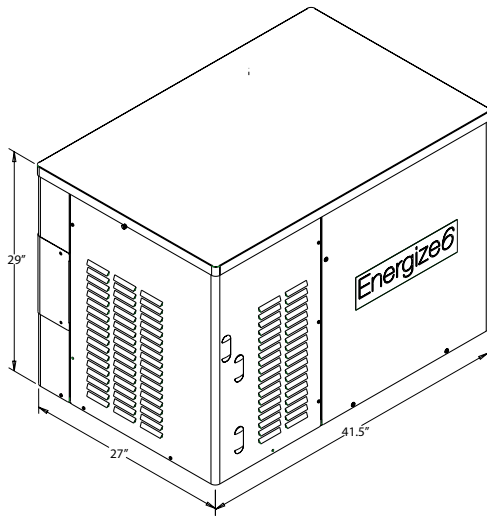
#### RECIRCULATING SYSTEM FOR HIGH VOLUME SODA

- 20% energy savings based on traditional recirculation systems
- Intelligent variable speed dual recirculation and agitation system monitors and adapts based on dispense profiles
- Reduced stress and strain on key components
- Improved water bath insulation
- Remote condensing for optimum performance
- Supports all existing carbonated beverage equipment requirements - Smart Capable
- Includes standard 2-year McDonald's warranty



#### BACK ROOM PACKAGE INCLUDING ACCESSORY PANEL

- Back room stand holds the Energize6 and up to 12BIB's
- Flexible configuration fits a variety of restaurant requirements
- Ergonomic and compact design makes loading BIB even easier
- All stainless steel construction ensures durability and cleaning ease
- Pre-assembled accessory panel provides install labor savings
- Optional syrup heat exchange at point of dispense



PART NUMBER	DESCRIPTION
621055048	Energize6 remote dual recirculation unit Smart Capable
621055847	Complete Back Room Package Assembly: BIB stand with pumps and changeovers, panel with booster and CO <sub>2</sub> system
620056585	Air Compressor
629097195	Heat Exchanger
631700603	Remote Condenser - CR801
620056571	55ft pre-charged line set with connectors
620056359	8-line Insulated Water Python
620056358	12-line Non-Insulated Syrup Python

## TECHNICAL SPECIFICATIONS:

SYRUP COILS/HEAT EXCHANGE.....12-3/8"  
 WATER COILS.....6-1/2"  
 COMPRESSOR.....2 HP  
 REFRIGERANT.....R404a  
 CONTINUOUS  
 DISPENSE RATE\*.....8x (12oz)  
 DRINKS PER MINUTE  
 PEAK CAPACITY  
 DISPENSE RATE\*.....10x (12oz)  
 DRINKS PER MINUTE  
 FOR 2 HOURS

## ELECTRICAL REQUIREMENTS:

ENERGIZE 6.....230V/60Hz/3 ph (30FLA)  
 REMOTE CONDENSER (CR801).....230V/60Hz/1 ph  
 BACK ROOM PACKAGE.....115V/60Hz/15 amp  
 SHIPPING WEIGHT.....440 lbs

AGENCY LISTINGS.....
 


\*Based on 75°F water, syrup, and ambient



© 2013 IMI CORNELIUS CM5006-0513

IN THE U.S.A.  
 Ph: 800.238.3600  
 Fax: 800.258.0255

OUTSIDE THE U.S.A.  
 Ph: 763.488.8200  
 Email: webmaster@cornelius.com

101 Broadway Street West  
 Osseo, MN 55369  
 www.cornelius.com

For more information or to place an order, contact your sales representative or authorized distributor.