



Delfield Undercounter Freezer

USA & CANADA
MODEL



Product Features:

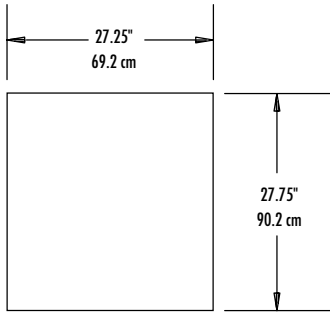
- Top and bottom are constructed of 24-gauge galvanized steel. Exterior sides are .32 aluminum. Front housing is 22-gauge stainless steel.
- Unit is provided with hinged solid front door(s). Door exterior is constructed of 22-gauge stainless steel.
- Environmentally friendly, non-chlorine HFC, R404a refrigerant is used.
- High density foamed in place environmentally friendly, Kyoto Protocol Compliant, Non ODP (Ozone Depletion Potential), Non GWP (Global Warming Potential) polyurethane keeps energy costs low.
- Unit is supplied standard with a 10' cord and plug, attached.
- Galvanized back.

The Delfield Undercounter freezer is manufactured exclusively for McDonald's and provides efficient cold storage. This unit meets all of McDonald's standards for safety, efficiency and cleanliness.

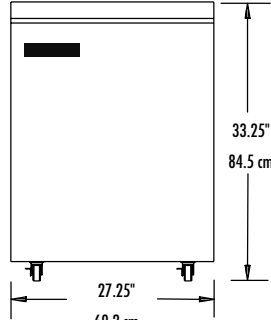
Manufactured exclusively for McDonald's by
THE DELFIELD COMPANY



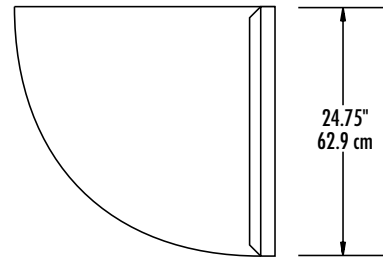
Delfield Undercounter Freezer **USA & CANADA MODEL**



PLAN VIEW 407



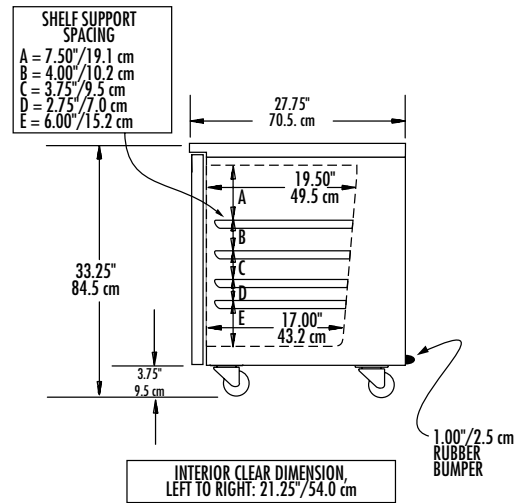
ELEVATION VIEW 407



STANDARD DOOR HINGING IS ON RIGHT
HINGING MAY BE REVERSED AT INSTALLATION

DOOR CLEARANCE DETAIL 407

INSTALLATION NOTE ALL MODELS:
Refrigeration system is designed so that air will flow under the unit, through the compressor area, and out the top rear of the unit. Any restriction to this air flow path will void the warranties.



RIGHT END VIEW 407

MECHANICAL DATA								
MODEL #	# OF SHELVES	SHELF AREA	STORAGE CAPACITY FT ³	H.P	VOLTS/HERTZ PHASE	AMPS	SHIP WEIGHT	NEMA PLUG
407	2	7.2FT (.67m)	5.7ft (.16m)	1/4	115/60/1	5.8	168 LBS	5-15P
407-34	2	7.2FT (.67m)	5.7ft (.16m)	1/4	115/60/1	5.8	168 LBS	5-15P
407-MD1	2	7.2FT (.67m)	5.7ft (.16m)	1/4	115/60/1	5.8	168 LBS	5-15P

