



# EVERPURE® HIGH FLOW CSR TRIPLE SEN

EXPAND YOUR WATER FILTRATION SYSTEM WITH THE HIGH FLOW CSR TRIPLE SEN UPGRADE KIT

High Flow CSR Triple SEN: EV9437-60  
Endurance Triple Cartridge Kit: EV9628-71\*



## APPLICATIONS

Multiple equipment and combination applications  
High volume installations

## FEATURES

Easy upgrade for existing High Flow CSR Quad installations such as a High Flow Triple Combo, Central Water System or Uni-Mount

Features Everpure SEN Cartridges with proprietary Fibredyne™ II media for superior contaminant reduction

Utilizes Everpure 2SR-BW Phosphate Cartridge for scale reduction

High capacity allows system to keep up high water demands and allows longer periods between replacing filter cartridges

## BENEFITS

Consistently outstanding performance, even in high turbidity water

Unique pretreatment system features pleated membrane with a large surface area

Compact design has nearly the same footprint as the Everpure High Flow CSR Quad System

Sanitary cartridge replacement is simple, quick and clean, internal filter parts are never exposed to handling or contamination

A significant increase in filtration capacity per cartridge

## INSTALLATION TIPS

Choose a mounting location capable of safely supporting the full weight of the components when in operation

Use 3/4" water line

Fountain equipment connections are made to the outlet part of the system before the Everpure 2SR-BW cartridge

Coffee brewer and ice machine connections are made after the Everpure 2SR-BW scale inhibitor cartridge; a tee is required

Install vertically with cartridges hanging down and allow 5" (12.7 cm) clearance below the cartridge for easy replacement

## OPERATION TIPS

Change filter cartridges on a regular 12-month preventative maintenance program

Change cartridges when capacity is reached or when flow becomes too slow, but at least annually

Always flush the filter cartridge at time of installation and cartridge change.

Flush cartridges by running water through flushing valve for five (5) minutes at full flow

## SIZING

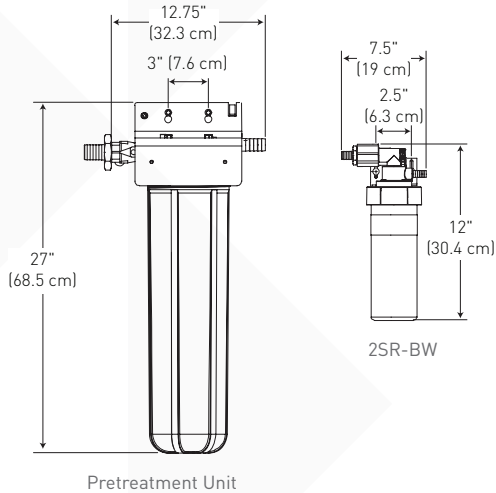
Rated Service Flow: 11.25 gpm (42.6 Lpm)

Capacity: 150,000 gallons (567,810 L)

\*not shown

# EVERPURE® HIGH FLOW CSR TRIPLE SEN SYSTEM

## EV9437-60



### SPECIFICATIONS

#### Pretreatment Unit Dimensions

27" H x 12.75" W  
(68.5 cm H x 32.3 cm W)

#### 2SR-BW Dimensions

12" H x 7.5" W  
(30.4 cm x 19 cm)

#### Capacity

Up to 150,000 gallon (567,810L) or  
one year

#### Pressure Requirements

10 - 100 psi (0.7 - 6.9 bar), non-shock

#### Temperature

35 - 100°F (2 - 38°C)

#### Shipping Weight

25 lbs (11.34 Kg)

#### Operating Weight

60 lbs (27.2 kg)

#### Electrical Connection

None required

The contaminants or other substances removed or reduced by this drinking water system are not necessarily in your water. Do not use with water that is microbiologically unsafe or of unknown quality without adequate disinfection before or after the system. Systems certified for cyst reduction may be used with disinfected water that may contain filterable cysts.

### WARRANTY

Everpure water treatment systems by Pentair® (excluding replaceable elements) are covered by a limited warranty against defects in material and workmanship for a period of five years after date of purchase. Everpure replaceable elements (filter cartridges and water treatment cartridges) are covered by a limited warranty against defects in material and workmanship for a period of one year after date of purchase. See printed warranty for details. Pentair will provide a copy of the warranty upon request.



### FILTRATION & PROCESSING SOLUTIONS

EVERPURE-SHURFLO WORLD HEADQUARTERS, 1040 MUIRFIELD DRIVE, HANOVER PARK, IL 60133 USA • WWW.EVERPURE.COM  
800.942.1153 (US ONLY) • 630.307.3000 MAIN • 630.307.3030 FAX • CSEVERPURE@PENTAIR.COM EMAIL

EVERPURE-SHURFLO AUSTRALIA, 1-21 MONASH DRIVE, DANDENONG SOUTH, VIC 3175, AUSTRALIA  
011.1300 576 190 TEL • 011.61.39.562.7237 FAX • AU.EVERPURE@PENTAIR.COM EMAIL

EVERPURE-SHURFLO CHINA, 21F CLOUD 9 PLAZA, NO 1118, SHANGHAI, 200052, CHINA  
86.21.3211.4588 TEL • 86.21.3211.4580 FAX • CHINA.WATER@PENTAIR.COM EMAIL

EVERPURE-SHURFLO INDIA, GREEN BOULEVARD, B-9/A, 7TH FLOOR - TOWER B SECTOR 62, NOIDA - 201301  
91.120.419.9444 TEL • 91.120.419.9400 FAX • INDIACUSTOMER@PENTAIR.COM EMAIL

EVERPURE-SHURFLO EUROPE, PENTAIR WATER BELGIUM BVBA, INDUSTRIEPARK WOLFSTEE, TOEKOMSTLAAN, 30 B-2200 HERENTALS, BELGIUM  
+32.(0).14.283.500 TEL • +32.(0).14.283.505 FAX • SALES@EVERPURE-EUROPE.COM EMAIL

EVERPURE-SHURFLO JAPAN INC., HASHIMOTO MN BLDG. 7F, 3-25-1 HASHIMOTO, MIDORI-KU, SAGAMIHARA-SHI KANAGAWA 252-0143, JAPAN  
81.(0)42.775.3011 TEL • 81.(0)42.775.3015 FAX • INFO@EVERPURE.CO.JP EMAIL

EVERPURE-SHURFLO SOUTHEAST ASIA, SOUTHEAST ASIA, 390 HAVELOCK ROAD, #04-01 KING'S CENTRE, SINGAPORE 169662  
65.6768.5800 TEL • FAX: 65.6737.5149 FAX • CSEVERPURE@PENTAIR.COM EMAIL

All Pentair trademarks and logos are owned by Pentair, Inc. or its affiliates. All other registered and unregistered trademarks and logos are the property of their respective owners. Because we are continuously improving our products and services, Pentair reserves the right to change specifications without prior notice. Pentair is an equal opportunity employer.