

Ice/Beverage Series 1090C Remote Ice Cube Machine

with Patented CVD Technology®

Model

IB-1094YC



An Ice Machine Designed Specifically for Beverage Dispensers



Ice/Beverage Series 1090C ice machine - 115V
Servend SV-250 beverage dispenser
An "NSF Listed" Ice/Beverage Dispenser Combination



CVD Condensing Unit - 208-230V

QuietQube ice machine with CVD condensing unit is designed as a Manitowoc system and cannot be used with any other ice machine or remote condenser brand.

Standard Features

IB Series QuietQube® Remote System consists of a remote condensing unit, interconnecting refrigerant lines, ice machine head section along with a countertop dispenser, or ice storage bin. All ordered separately.

- **Space-Saving Design** - up to 1000 lbs. (281 kgs.) daily ice production in narrow 22" footprint eases sanitation procedures for the ice storage area and beverage valves.
- Also allows for convenient manual loading of ice in dispenser to satisfy peak ice usage.
- Can be installed or retrofitted to virtually any commercial beverage dispenser.
- Only 14" (35.56 cm) deep, 22" (55.88 cm) wide, and 24" (60.96 cm) high.
- **Quiet Operation** - eliminates most noise from the refrigeration system. Promotes a relaxing atmosphere.
- **Intelligent Diagnostics** - provide 24 hour preventative maintenance and diagnostic feedback for trouble free operation.
- **Acoustical Ice Sensing Probe** - for reliable operation in challenging water conditions.
- **EasyRead Display** - communicates operating status, cleaning reminders, and asset information through a blue illuminated display.
- **Programmable Ice Production** - by On/Off Time, Ice Volume or Bin Level (with accessory bin level control) further improves energy efficiency and savings.
- **Easy to Clean Foodzone** - Lift-off front door for easy access. Removable water-trough, distribution tube, curtain, and sensing probes for fast and efficient cleaning. Select components made with AlphaSan® antimicrobial.
- **DuraTech™ Exterior** - provides superior corrosion resistance. Stainless finish with innovative clear-coat resists fingerprints and dirt.
- Available **Luminice™ Growth Inhibitor** controls the growth of bacteria, mold, and yeast within the foodzone.



Ice Shape

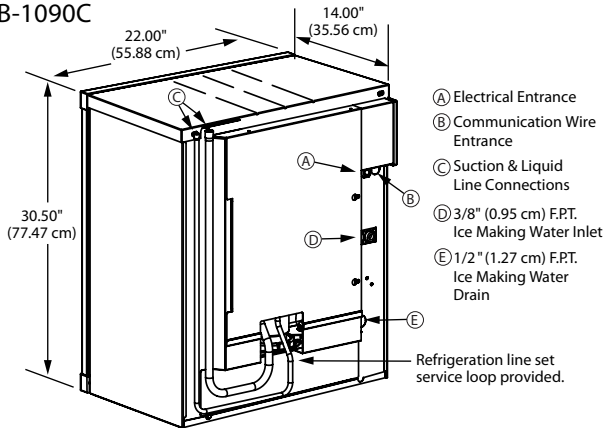


Half Dice
3/8" x 1 1/8" x 7/8"
(.95 x 2.86 x 2.22 cm)



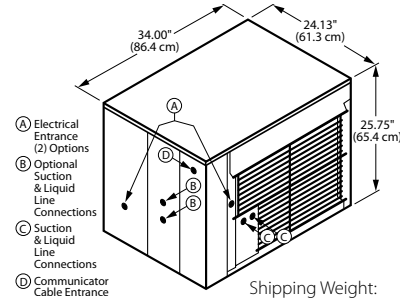


Ice/Beverage iB-1090C Ice Machine



Shipping Weight:
148 lbs. / 67 kgs.

ICVD-1195 Condensing Unit



208-230/60/1 standard. 208-230/60/3 HACR-type circuit breakers can be used in place of fuses.

Note: QuietQube ice machine power supply is wired independent of CVD condensing unit.

Min. circuit ampacity:
14.5 1ph 9.3 3ph

Max. fuse size:
25 amps 1ph 15 amps 3ph

HACR-type circuit breakers can be used in place of fuses.

BTU Per Hour:
16,250 (average) 18,600 (peak)

Compressor:
Nominal rating: 1.75 HP

Operating Limits:
• Ambient Temperature Range:
-20° to 120°F (-29° to 48.9°C)

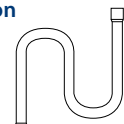
Installation Information and Dimensions:

Maximum Line Length
—100' (30.5 m)*

Maximum Vertical Rise*
—35' (10.7 m) above ice machine.

Maximum Vertical Drop
—15' (4.5 m) below ice machine.

*A rise over 20' (6 m) requires S-Trap Kit K-00172 - ordered separately.



Ice Machine Electric

115/60/1 standard.
Total Amps: 1.1
Max. fuse size: 15 amps
HACR-type circuit breakers can be used in place of fuses.

Specifications

Operating Limits:

- Ambient Temperature Range: 35° to 110°F (1.6° to 43.4°C)
- Water Temperature Range: 35° to 90°F (1.67° to 32.2°C)
- Water Pressure Ice Maker Water In: Min. 20 psi (137.9 kPa) Max. 80 psi (551.1 kPa)

Refrigerant: R-404A

Remote Air-cooled Ice Machine

Model	Ice Shape	Ice production 24 hours		Power kWh/ 100 lbs* @ 90° Air/70°F	Water Usage/ 100 lbs. 45.4 kgs. of Ice	ENERGY STAR®
		70° Air/50°F Water	90° Air/70°F Water			
IB-1094YC	half-dice	1000 lbs.	875 lbs.	4.97	19.7 gal.	★
		454 kgs.	397 kgs.			

Ice machine for use with ice dispenser, CVD condensing unit and dispenser adapter. All ordered separately.
*kWh per 100 lbs. is total power of ice machine and condensing unit. Ice machine is 1 ph only. Condensing unit is 1 ph or 3 ph.

Interconnecting Tubing with Required Communication Wire*

Communication wire comes with each of the following line sets

Model	Line Length		Weight	
	ft.	m.	lbs.	kgs.
RC-26	20	6	12	5
RC-36	30	9	17	9
RC-56	50	15	27	13

*When using a non-Manitowoc line-set, a 186A 5-conductor communication cable must be installed between the head and condenser sections.



Note: IB models are designed for use with an Ice/Beverage dispenser. Adapter required. Ordered separately. For attachment to ice storage bin, contact factory.

Accessories

LuminIce™ Growth Inhibitor
reduces yeast and bacteria growth for a cleaner ice machine.



Arctic Pure® Water Filters
Reduces sediment and chlorine odors for better tasting ice.



AuCS®
schedules and performs routine ice machine cleaning automatically.

