

# QuietQube® i-680C Remote Ice Cube Machine

Air-Cooled Ice Cube Machine with Patented CVD Technology®

## Model

- ID-0682C     IY-0684C



ID-0682C Ice Cube Machine - 115V



CVD Condensing Unit - 230V



ID-0682C Ice Machine  
on a B-570 Bin

QuietQube Series Remote System consists of a remote condensing unit, interconnecting refrigerant lines, ice machine head section along with an ice storage bin, countertop dispenser, or floor dispenser. All ordered separately. QuietQube ice machine with CVD condensing unit is designed as a Manitowoc system and cannot be used with any other ice machine or remote condenser brand.

- **Space-Saving Design** – Up to 680 lbs. (308 kgs.) daily ice production and only 30" (76.20 cm) wide.
- **Intelligent Diagnostics** – provide 24 hour preventative maintenance and diagnostic feedback for trouble free operation.
- **Acoustical Ice Sensing Probe** – for reliable operation in challenging water conditions.
- **EasyRead Display** – communicates operating status, cleaning reminders, and asset information through a blue illuminated display.
- **Programmable Ice Production** – by On/Off Time, Ice Volume or Bin Level (with accessory bin level control) further improves energy efficiency and savings.
- **Easy to Clean Foodzone** – Removable water-trough, distribution tube, splash shield, and sensing probes for fast and efficient cleaning. Select components made with AlphaSan® antimicrobial.
- **DuraTech™ Exterior** – provides superior corrosion resistance. Stainless finish with innovative clear-coat resists fingerprints and dirt.
- Available **LuminIce™ Growth Inhibitor** controls the growth of bacteria and yeast within the foodzone.



## Ice Shape



**Half Dice**  
3/8" x 1 1/8" x 7/8"  
(.95 x 2.86 x 2.22 cm)

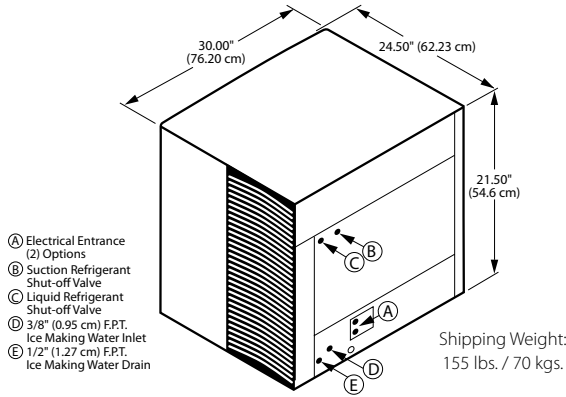


**Dice**  
7/8" x 7/8" x 7/8"  
(2.22 x 2.22 x 2.22 cm)





### i-680C Ice Machine



### Specifications

#### Operating Limits:

- Ambient Temperature Range: 35° to 110°F (1.7° to 43.3°C)
- Water Temperature Range: 35° to 90°F (1.7° to 32.2°C)
- Water Pressure Ice Maker Water In: Min. 20 psi (137.9 kPa) Max. 80 psi (551.1 kPa)

### Ice Machine Electric

**115/60/1 standard.** (230/50/1 also available, consult factory.)  
**Total Amps: 1.1**  
**Max. fuse size: 15 amps**  
 HACR-type circuit breakers can be used in place of fuses.

### AuCS® Accessory

Automatic Cleaning System purchased as an option and installed in the field.



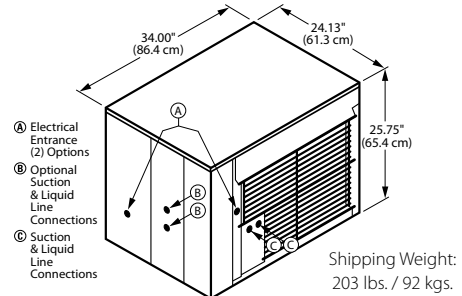
### Remote Air-cooled Ice Machine

Model	Ice Shape	Ice Production 24 Hours		Power kWh/100 lbs* @ 90°/70°F	ENERGY STAR
		70°Air/50°F Water	90°Air/70°F Water		
ID-0682C	dice	650 lbs.	505 lbs.	6.13	★
		295 kgs.	229 kgs.		
IY-0684C	half-dice	680 lbs.	510 lbs.	6.16	★
		308 kgs.	231 kgs.		
Water usage/100 lbs./45.4 kgs. of Ice					
Potable Water: 22 gallons, 83.3 liters					

Ice machine for use with ice storage bin or ice dispenser and ICVD condensing unit all ordered separately.

\*kWh per 100 lbs. is total power of ice machine and condensing unit. Ice machine is 1 ph only. Condensing unit is 1 ph or 3 ph.

### iCVD-0695 Remote Condensing Unit



### Condensing Unit Electric

**208-230/60/1 standard.** 208-230/60/3 and 230/50/1 also available. 50 Hz version of this model meets the international standard, IEC335-1, requirements for "tropical rating," the most severe duty rating an ice machine can obtain, (consult factory). HACR-type circuit breakers can be used in place of fuses.  
**Note:** QuietQube ice machine is wired independent of CVD condensing unit.

#### Min. circuit ampacity:

11 1ph      7.5 3ph

#### Max. fuse size:

15 amps 1ph      15 amps 3ph

HACR-type circuit breakers can be used in place of fuses.

#### BTU Per Hour:

10,300 (average) 11,700 (peak)

#### Compressor:

Nominal rating: 1 HP

#### Operating Limits:

- Ambient Temperature Range: -20° to 130°F (-29° to 54°C)

#### Installation Information and Dimensions:

Maximum Line Length

—100' (30.5 m)\*

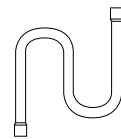
Maximum Vertical Rise\*

—35' (10.7 m) above ice machine.

Maximum Vertical Drop

—15' (4.5 m) below ice machine.

\*A rise over 20' (6 m) requires S-Trap Kit K-00172 - ordered separately.



### Standard Interconnecting Tubing

Model	Line Length		Weight	
	ft.	m.	lbs.	kgs.
RC-26	20	6	12	5
RC-36	30	9	20	9
RC-56	50	15	28	13