

Indigo™ Series 522 Ice Cube Machine

Model: ID-0522A IY-0524A ID-0523W IY-0525W



Indigo Series I-522 Ice Machine on B-420 Bin

Designed for operators who know that ice is critical to their business, the Indigo™ Series ice machine's preventative diagnostics continually monitor itself for reliable ice production. Improvements in cleanability and programmability make your ice machine easy to own and less expensive to operate.

- **Space-Saving Design** – Up to 485 lbs. (220 kgs.) daily ice production and only 22" (55.88 cm) wide.
- **Intelligent Diagnostics** – provide 24 hour preventative maintenance and diagnostic feedback for trouble free operation.
- **Acoustical Ice Sensing Probe** – for reliable operation in challenging water conditions.
- **EasyRead Display** – communicates operating status, cleaning reminders, and asset information through a blue illuminated display.
- **Programmable Ice Production** – by On/Off Time, Ice Volume or Bin Level (with accessory bin level control) further improves energy efficiency and savings.
- **Easy to Clean Foodzone** – Hinged front door swings out for easy access. Removable water-trough, distribution tube, curtain, and sensing probes for fast and efficient cleaning. Select components made with AlphaSan® antimicrobial.
- **DuraTech™ Exterior** – provides superior corrosion resistance. Stainless finish with innovative clear-coat resists fingerprints and dirt.
- Available **LuminIce™ Growth Inhibitor** controls the growth of bacteria and yeast within the foodzone.

Ice Machine Electric

115/60/1 standard.
(208-230/60/1 also available)

Minimum circuit ampacity:

Air-cooled: 20 1ph
Water-cooled: 13.5 1ph

Maximum fuse size:

Air-cooled: 20 1ph
Water-cooled: 20 1ph



Specifications

BTU Per Hour:
5,300 (average) 6,100 (peak)

Refrigerant:
R-404A CFC-free

- Operating Limits:**
- Ambient Temperature Range: 35° to 110°F (1.7° to 43.3°C)
 - Water Temperature Range: 35° to 90°F (1.7° to 32.2°C)
 - Water Pressure Ice Maker Water In:
Min. 20 psi (137.9 kPa)
Max. 80 psi (551.1 kPa)

Ice Shape

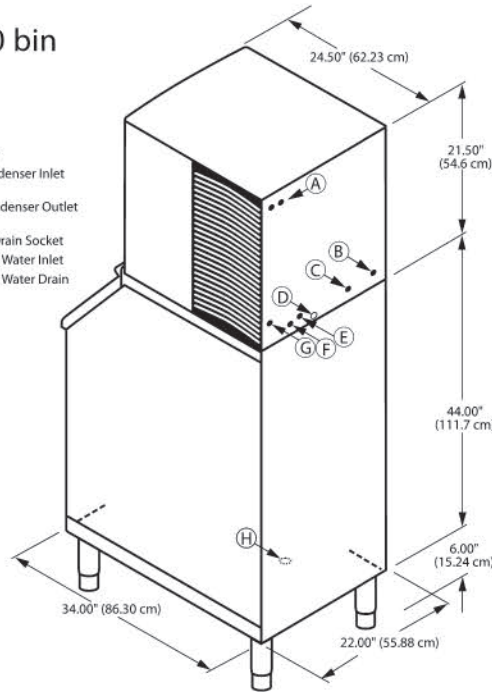




Indigo™ Series 522 Ice Cube Machine

i-522 on B-420 bin Storage Bin

- (A) Electrical Entrance (2) Options
- (B) 3/8" (0.95 cm) F.P.T. Water Condenser Inlet (water-cooled units)
- (C) 1/2" (1.27 cm) F.P.T. Water Condenser Outlet (water-cooled units)
- (D) 1/2" (1.27 cm) Auxillary Base Drain Socket
- (E) 3/8" (0.95 cm) F.P.T. Ice Making Water Inlet
- (F) 1/2" (1.27 cm) F.P.T. Ice Making Water Drain
- (G) 3/4" (1.91 cm) Bin Drain



Installation Note

Minimum installation clearance:
 Top/sides: 8" (20.32 cm);
 Back is 5" (12.7 cm)

Space-Saving Designs



| | i-522 B-420 | i-522 B-400* |
|-------------|------------------------|------------------------|
| Height | 76.50" 194.31 cm | 64.50" 193.83 cm |
| Width | 22.00" 55.88 cm | 30.00" 76.20 cm |
| Depth | 34.00" 86.30 cm | 34.00" 86.30 cm |
| Bin Storage | 310 lbs. 140.7 kgs. | 290 lbs. 131.7 kgs. |

Height includes adjustable bin legs 6.00" to 8.00" (15.24 to 20.32 cm) set at 6.00" (15.24 cm).

* K-00141 bin adapter required.

Specifications

| | Model | Ice Shape | Ice Production 24 Hours | | Power Usage kWh/100 lbs. @90°Air/70°F | Water Usage/100 lbs. 45.4 kgs. of Ice Potable Water | ENERGY STAR* |
|--------------|----------|-----------|-------------------------|--------------------|---|---|-----------------|
| | | | 70°Air/ 50°F Water | 90°Air/ 70°F Water | | | |
| AIR-COOLED | ID-0522A | dice | 475 lbs. | 325 lbs. | 6.72 | 23.8 Gal. | ★ |
| | | | 215 kgs. | 147 kgs. | | 90.1 L | |
| AIR-COOLED | IY-0524A | half-dice | 485 lbs. | 340 lbs. | 6.60 | 23.8 Gal. | ★ |
| | | | 220 kgs. | 154 kgs. | | 90.1 L | |
| WATER-COOLED | ID-0523W | dice | 460 lbs. | 375 lbs. | 5.09 | 23.8 Gal. | NA |
| | | | 209 kgs. | 170 kgs. | | 90.1 L | |
| WATER-COOLED | IY-0525W | half-dice | 480 lbs. | 395 lbs. | 4.87 | 23.8 Gal. | NA |
| | | | 218 kgs. | 179 kgs. | | 90.1 L | |

* Water-cooled Condenser Water Usage / 100 lbs. /45.4 kgs. Of Ice: 190 gal/ 719 L.

* Water-cooled models are excluded from ENERGY STAR qualification.

Order ice storage bin separately.

Accessories

LuminIce™ Growth Inhibitor
 reduces yeast and bacteria growth for a cleaner ice machine.



Bin Level Control
 Allows ice bin level to be automatically set. Built-in LED light illuminates bin.



Arctic Pure® Water Filters
 Reduces sediment and chlorine odors for better tasting ice.



AuCS®
 schedules and performs routine ice machine cleaning automatically.



2110 South 26th Street
 PO Box 1720
 Manitowoc, WI 54221-1720 USA

Tel: 1.920.682.0161
 Fax: 1.920.683.7589
www.manitowocice.com



Mixed Sources
 Product group from well-managed forests, controlled sources and recycled wood or fiber.
www.fsc.org Cert no. SW-COC-001886
 © 1996 Forest Stewardship Council

