

Indigo™ Series 600 Ice Cube Machine

Model: ID-0602A IY-0604A ID-0603W IY-0605W ID-0692N IY-0694N



Indigo Series i-600
Ice Machine on B-570 Bin

Designed for operators who know that ice is critical to their business, the Indigo™ Series ice machine's preventative diagnostics continually monitor itself for reliable ice production. Improvements in cleanability and programmability make your ice machine easy to own and less expensive to operate.

- **Space-Saving Design** – Up to 650 lbs. (295 kgs.) daily ice production and only 30" (76.20 cm) wide.
- **Intelligent Diagnostics** – provide 24 hour preventative maintenance and diagnostic feedback for trouble free operation.
- **Acoustical Ice Sensing Probe** – for reliable operation in challenging water conditions.
- **EasyRead Display** – communicates operating status, cleaning reminders, and asset information through a blue illuminated display.
- **Programmable Ice Production** – by On/Off Time, Ice Volume or Bin Level (with accessory bin level control) further improves energy efficiency and savings.
- **Easy to Clean Foodzone** – Hinged front door swings out for easy access. Removable water-trough, distribution tube, curtain, and sensing probes for fast and efficient cleaning. Select components made with AlphaSan® antimicrobial.
- **DuraTech™ Exterior** – provides superior corrosion resistance. Stainless finish with innovative clear-coat resists fingerprints and dirt.
- Available **LuminIce™ Growth Inhibitor** controls the growth of bacteria and yeast within the foodzone.

Ice Machine Electric

208-230/60/1 standard.
(230/50/1 also available)

Minimum circuit ampacity:

Air Cooled: 10.2
Water Cooled: 9.7
Remote: 10.7

Maximum fuse size:

Air Cooled: 15
Water Cooled: 15
Remote: 15

Specifications

BTU Per Hour:

9,000 (average) 13,900 (peak)

Refrigerant:

R-404A CFC-free

Operating Limits:

- Ambient Temperature Range: 35° to 110°F (1.7° to 43.3°C)
Water Temperature Range: 35° to 90°F (1.7° to 32.2°C)
- Water Pressure Ice Maker Water In:
Min. 20 psi (137.9 kPa)
Max. 80 psi (551.1 kPa)



Ice Shape



Half Dice
3/8" x 1 1/8" x 7/8"
(.95 x 2.86 x 2.22 cm)



Dice
7/8" x 7/8" x 7/8"
(2.22 x 2.22 x 2.22 cm)

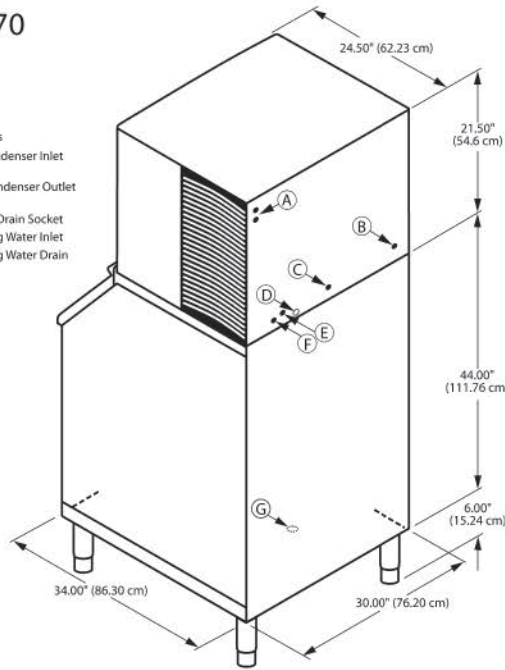




Indigo™ Series 600 Ice Cube Machine

i-600 on B-570 Storage Bin

- (A) Electrical Entrance (2) Options
- (B) 3/8" (0.95 cm) F.P.T. Water Condenser Inlet (water-cooled units)
- (C) 1/2" (1.27 cm) F.P.T. Water Condenser Outlet (water-cooled units)
- (D) 1/2" (1.27 cm) Auxiliary Base Drain Socket
- (E) 3/8" (0.95 cm) F.P.T. Ice Making Water Inlet
- (F) 1/2" (1.27 cm) F.P.T. Ice Making Water Drain
- (G) 3/4" (1.91 cm) Bin Drain



Installation Note
Minimum installation clearance:

Top/sides: 8" (20.32 cm);
Back is 5" (12.7 cm)

Space-Saving Designs



	i-600 B-400	i-600 B-570
Height	59.50" 151.13 cm	71.50" 181.61 cm
Width	30.00" 76.20 cm	30.00" 76.20 cm
Depth	34.00" 86.30 cm	34.00" 86.30 cm
Bin Storage	290 lbs. 131.7 kgs.	430 lbs. 195.2 kgs.

Height includes adjustable bin legs 6.00" to 8.00" (15.24 to 20.32 cm) set at 6.00" (15.24 cm).

Specifications

	Model	Ice Shape	Ice Production 24 Hours		Power Usage kWh/100 lbs. @90° Air/70°F	Water Usage/100 lbs. 45.4 kgs. of Ice
			70° Air/ 50°F Water	90° Air/ 70°F Water		
AIR-COOLED	ID-0602A	dice	650 lbs.	475 lbs.	6.28	22.0 Gal.
			295 kgs.	215 kgs.		83.3 L
	IY-0604A	half-dice	650 lbs.	500 lbs.	6.14	22.0 Gal.
			295 kgs.	227 kgs.		83.3 L
WATER-COOLED	ID-0603W	dice	650 lbs.	560 lbs.	4.78	22.0 Gal.
			295 kgs.	254 kgs.		83.3 L
	IY-0605W	half-dice	650 lbs.	610 lbs.	4.68	22.0 Gal.
			295 kgs.	277 kgs.		83.3 L
* Water-cooled Condenser Water Usage / 100 lbs. /45.4 kgs. Of Ice: 157 gal./ 594 L. * Water-cooled models are excluded from ENERGY STAR qualification.						
REMOTE-COOLED	ID-0692N	dice	630 lbs.	520 lbs.	6.36	22.0 Gal.
			286 kgs.	236 kgs.		83.3 L
	IY-0694N	half-dice	630 lbs.	545 lbs.	6.28	22.0 Gal.
			286 kgs.	247 kgs.		83.3 L

Order ice storage bin separately. Ice storage bin and JC-0895 remote condenser must be ordered separately. Consult remote condenser specification sheet for details.
To order 3 phase add "3" suffix to model # (ID-0602A3).

Accessories

LuminIce™ Growth Inhibitor
reduces yeast and bacteria growth for a cleaner ice machine.



Bin Level Control
Allows ice bin level to be automatically set. Built-in LED light illuminates bin.



Arctic Pure® Water Filters
Reduces sediment and chlorine odors for better tasting ice.



AuCS®
schedules and performs routine ice machine cleaning automatically.



2110 South 26th Street
PO Box 1720
Manitowoc, WI 54221-1720 USA

Tel: 1.920.682.0161
Fax: 1.920.683.7589
www.manitowocice.com



Mixed Sources
Product group from well-managed forests, controlled sources and recycled wood or fiber.
www.fsc.org Cert no. SW-COC-001886
© 1996 Forest Stewardship Council

