



AuCS® Automatic Cleaning System

Model

- AuCS – SI (Internal Mounting) AuCS – SO (External Mounting)



AuCS – SI (Internal Mounting)



AuCS – SO (External Mounting)

Standard Features

AuCS – SI

- Internally mounted on S-Series Manitowoc ice machines.
- Electricity drawn directly from ice machine.
- Can be ordered separately or installed at the factory for no additional cost.

AuCS – SO

- Electricity drawn from ice machine directly.
- Exterior finish is stainless steel.
- Only 12" (30.48 cm) wide, 3.43" (8.7 cm) deep, 12.12" (30.78 cm) high.

Warranty

- 3-year warranty covering all parts and labor from the date of original installation.

An efficient, dependable, and affordable accessory that schedules and performs routine ice machine cleaning automatically.

The innovative AuCS® accessory virtually eliminates the need to have a service technician perform manual cleaning procedures on the water distribution system of your Manitowoc ice machine.

It is a known fact that regularly scheduled preventative maintenance (cleaning) reduces the total operating cost of any ice machine. With AuCS, you simply select the cleaning frequency (2, 4, or 12 weeks); AuCS does the rest...automatically. AuCS is also affordable, as the entire system costs less than the expense of 3 manual cleanings. AuCS-SI and AuCS-SO are designed for use with *only* Manitowoc S-Series ice machines.

Cleaning or Sanitizing:

- The AuCS accessory can dispense either cleaner or sanitizer. It can not dispense both at the same time. Refer to the Installation Use and Care Manual supplied with the AuCS accessory to determine the type of solution needed and proper procedure for changing solutions. Use only Manitowoc ice machine cleaner or sanitizer.
- Cleaner is used to remove and control build up of lime scale or other mineral deposits.
- Sanitizer is used to control algae (slime) and other air borne bacteria (yeast).

Electric

- 115/60/1. 208-230/50/60/1 also available for both SI and SO models.
- Total Amps: 0.3
- Max Fuse Size: 15 amps

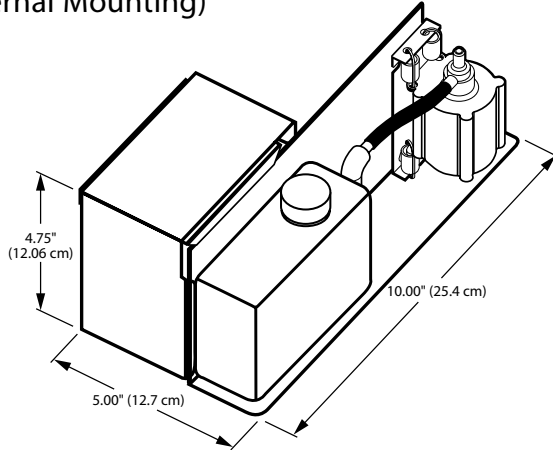
Replenishment

- AuCS cleaning or sanitizing fluid is provided in either 16 oz. replacement bottles or 1 gallon containers for refilling.

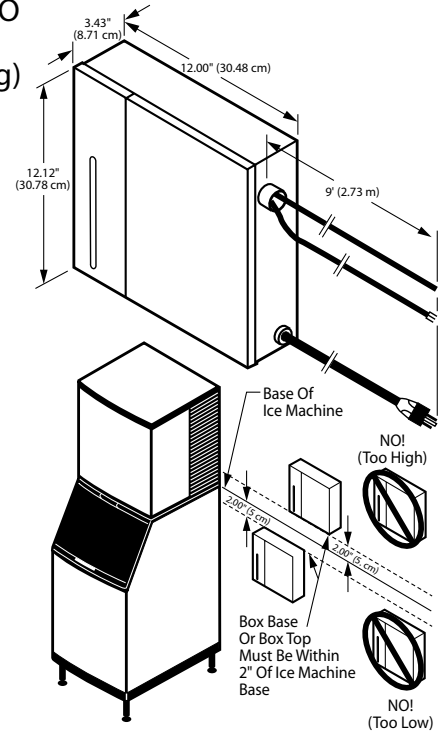




AuCS – SI (Internal Mounting)



AuCS – SO (External Mounting)



Compatibility: The S-Model AuCS (AuCS – SI and AuCS – SO) accessory can be used only on S-Series ice machines.



AuCS-SO

- S-300 S-1470C
- S-322 S-1870C
- S-422 S-2070C



AuCS-SI

- S-450 through
- S-1800

AuCS-SI Installation: The AuCS-SI mounts internally in S-Series ice machines. S-Series ice machines can be ordered direct from the factory with the AuCS-SI installed. If the AuCS-SI is not factory installed, a trained and qualified technician must perform installation. Note: Line voltage is obtained from the ice machine. Refer to the Model/Serial Plate on the ice machine and the AuCS-SI to verify both voltages are the same.

AuCS-SO Installation: The AuCS-SO is mounted on the wall near the ice machine or on the bin with the included bracket and hardware. Note: Line voltage is obtained from the ice machine. Refer to the Model/Serial Plate on the ice machine and the AuCS-SO to verify both voltages are the same.

Setting Run Frequency: AuCS is set to run once approximately every 2 weeks. For less frequent cleanings, set selector switch as needed:

WEEKS	CYCLES
2	1,120
4	2,240
12	6,720

Automatic Operation: Automatic cleaning initiated by the AuCS system takes approximately 30 minutes to complete. The cleaning procedure includes a 1-minute cleaning cycle followed by 6 rinse cycles.

NOTE: Box must also mount within reach of 9 foot (274 cm) tubing and low voltage modular wire.

Sequence of Operation:

Cleaning or Sanitizing Cycle

The cleaner or sanitizer is dispensed from the AuCS accessory for 10-20 seconds during the beginning of the cycle. The water pump circulates water over the evaporator for 10 minutes. After 10 minutes of cleaning, the water dump valve energizes for 45 seconds to dump the wash water down the drain.

Rinse Cycles

The entire rinse cycle is repeated 6 times. The water pump circulates water over the evaporator for 90 seconds. The water dump valve energizes to dump the rinse water down the drain for 45 seconds.