

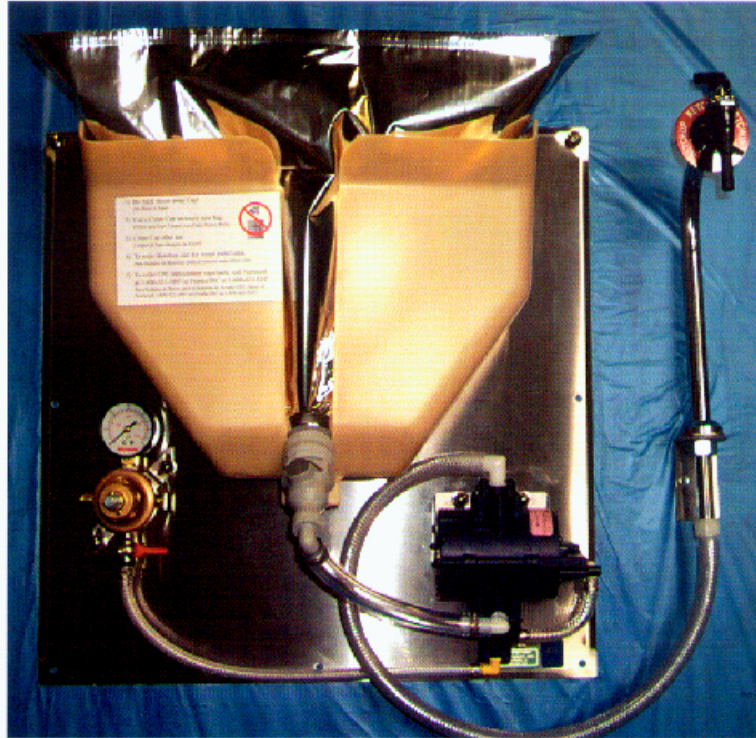
# MCD-1FF

(BACK OF HOUSE)

# PERFECTION



Perfection Equipment, Inc.  
Perfecta Stainless Division



MCD-1FF

## DESCRIPTION

The Fast-Fill Dispenser fills the Prince Castle Model 406-A Ketchup Dispenser.

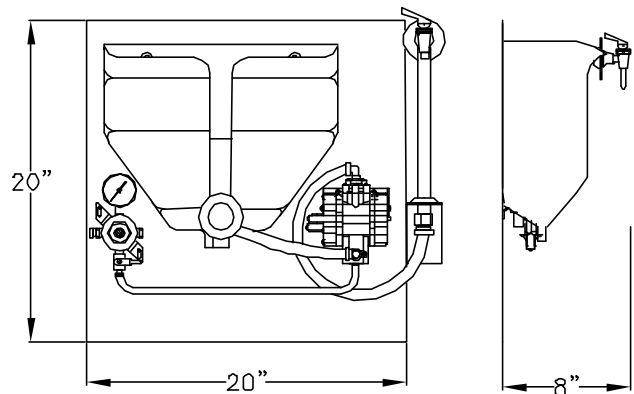
## PERFORMANCE

Product: Ketchup  
Packaging: 3-Gallon bag – Volpak  
Prince Castle - Fill Time @ 65 PSI: 15 seconds  
Prince Castle - Fill Time @ 30 PSI: 22 second  
Achieves 98% evacuation of product from bag  
Ketchup WRIN Number 04843-006

## INSTALLATION

Ready to mount to the wall at the back of house  
With Stainless Steel mounting plate. Includes  
Clean-in-Place Kit. Remote CO<sub>2</sub> Source required.  
(Optional high-pressure regulator available if CO<sub>2</sub>  
not accessible.)

Approximate Ship Weight: 25 pounds  
Kay Chemical Tested and NSF Listed



## PERFECTION Equipment, Inc.

4259 Lee Avenue, Gurnee, Illinois 60031, Phone: 847-244-7200, Fax: 847-244-7205, Toll Free: 800-356-6301  
Web Site: [www.perfectequip.com](http://www.perfectequip.com), E-Mail: [info@perfectequip.com](mailto:info@perfectequip.com)

