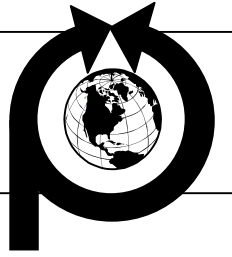
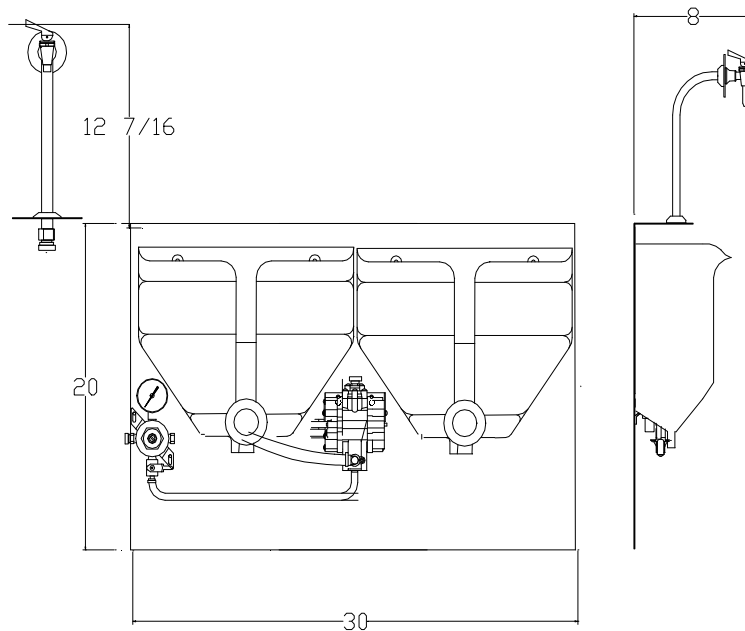


PERFECTION



Perfection Equipment, Inc.
Perfecta Stainless Division

McDONALD'S (BACK OF HOUSE) FAST FILL SYSTEM MODEL MCD-1FF/DS



SYSTEM INCLUDES

STAINLESS STEEL WALL PLATE, CHOICE OF (1) PT-1 STAINLESS STEEL PEDESTAL TOWER WITH SURESHOT VALVE OR HAND HELD DISPENSING WAND WITH SURESHOT VALVE, (2) PLASTIC 3-GALLON PRODUCT BAG SADDLES, (1) CONDIMENT PUMP, (1) LOW PRESSURE REGULATOR. SYSTEM COMES COMPLETE AND READY TO MOUNT TO WALL. SYSTEM ALSO INCLUDES A **CLEAN-IN-PLACE** KIT.

*FOR CONNECTION TO REMOTE CO₂ SOURCE (BY OTHERS)
HIGH PRESSURE REGULATOR (OPTIONAL)*

4259 Lee Avenue, Gurnee, Illinois, 60031 – 847/244-7200 – FAX 847/244-7205
E-Mail: info@perfectequip.com / Website: www.perfectequip.com