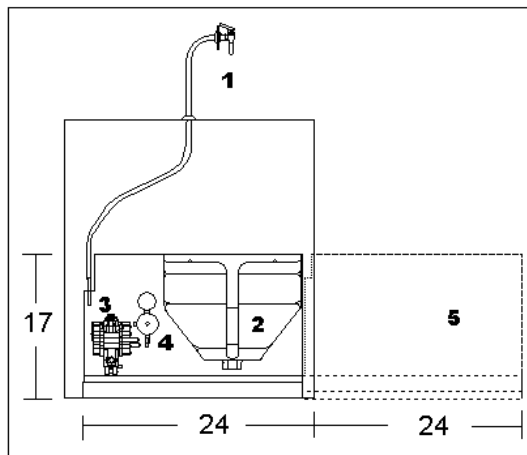


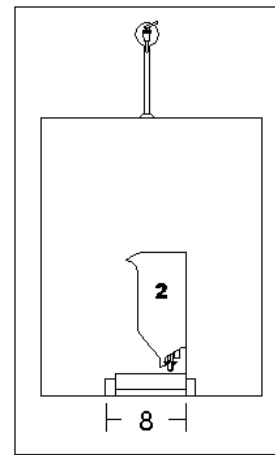


McDonald's (FRONT OF HOUSE) KETCHUP DISPENSER MODEL MCD-3

(ONE DISPENSER-ONE PRODUCT BAG)



SIDE VIEW WITH EXTENSION



FRONT VIEW

NUMBERS REFER TO DRAWING

1. **PT-1 9" Stainless Steel Gooseneck Dispenser with Perfection dispense valve (1)**
2. **Plastic 3 Gallon Product Saddle (1)**
3. **Condiment Pump (1)**
4. **Low Pressure Regulator (1)**
5. **Outline in Extended Position on 24" Slides**



SYSTEM ALSO INCLUDES

Bag Connector (1)

Round Label (1)

Plastic Saddle, Pump, LP Regulator, and Bag Connectors to be Pre-fabricated and mounted on a 1 product Stainless Steel slide out cradle with 24" extended slides.

System comes complete with all necessary tubing and ancillary components for a complete installation. This includes a **Clean-in-Place** kit.



PERFECTION Equipment, Inc.

4259 Lee Avenue, Gurnee, Illinois 60031, Phone: 847-244-7200, Fax: 847-244-7205, Toll Free: 800-356-6301
Web Site: www.perfectequip.com, E-Mail: info@perfectequip.com
M:\Cut Sheets - NewMcDonalds Cuts\MCD-3.doc 1/2/2008