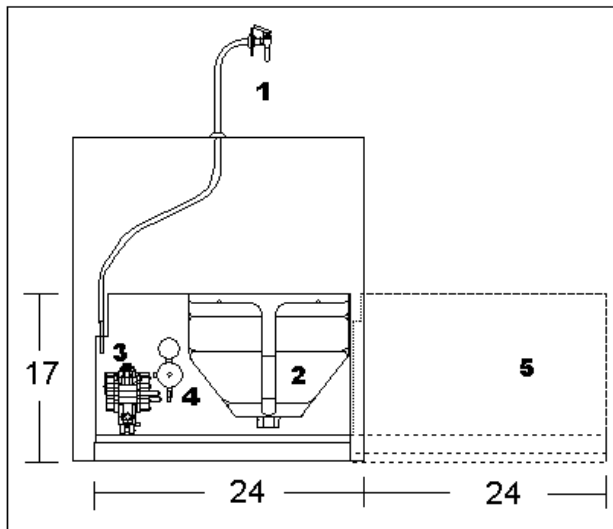


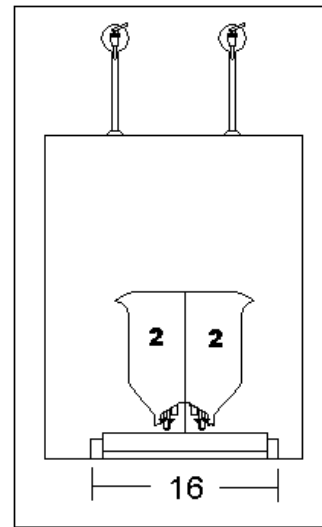


## McDonald's (FRONT OF HOUSE) CONDIMENT DISPENSER MODEL MCD-4

(TWO DISPENSER-ONE PRODUCT BAG EACH)



SIDE VIEW WITH EXTENSION



FRONT VIEW

NUMBERS REFER TO DRAWING

1. **PT-1 9" Stainless Steel Gooseneck Dispenser with Perfection dispense Valve (2)**
2. **Plastic 3 Gallon Product Saddles(2)**
3. **Condiment Pump (2)**
4. **Low Pressure Regulator (2)**
5. **Outline of MCD-4 in Extended Position on 24" Slides**



### SYSTEM ALSO INCLUDES

**Bag Connectors (2)**

**Round Product Labels (2)**

Plastic Saddles, Pump, LP Regulators, and Bag Connectors to be Pre-fabricated and mounted on a 2 product Stainless Steel slide out cradle with 24" extended slides.

System comes complete with all necessary tubing and ancillary components for a complete installation. This includes a **Clean-in-Place** kit.

