

MCD-UC2FF
(Back of House)

PERFECTION



Perfection Equipment, Inc.
Perfecta Stainless Division

TYPICAL INSTALLATION



DISPENSER

UHC CABINET

UHC TABLE

CRADLE IN
EXTENDED
POSITION



PERFECTION Equipment, Inc.

4259 Lee Avenue, Gurnee, Illinois 60031, Phone: 847-244-7200, Fax: 847-244-7205, Toll Free: 800-356-6301
Web Site: www.perfectequip.com, E-Mail: info@perfectequip.com



MCD-UC2FF ***(Back of House)***

PERFECTION



Perfection Equipment, Inc.
Perfecta Stainless Division

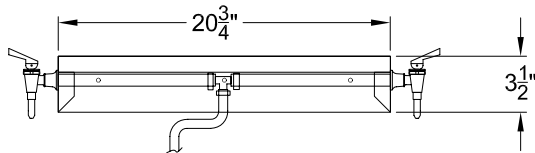


Dispenser

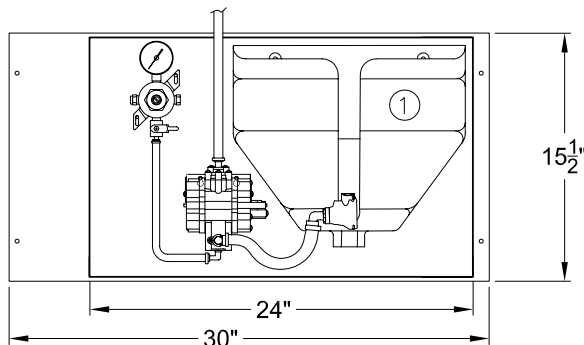


Cradle

Shown MCD-UC2FF



Dispenser



Cradle

Model: MCD-UC2FF

DESCRIPTION

- Dual Station Fast-Fill Dispenser. Installs Directly Onto Existing UHC Table.
- Fills The Prince Castle Model 406-A Ketchup Dispenser.

PERFORMANCE

- Product: Ketchup
- Packaging: 3-Gallon bag - Volpak
- Prince Castle - Fill Time @ 65 PSI: 15 seconds
- Prince Castle - Fill Time @ 30 PSI: 22 second
- Achieves 98% evacuation of product from bag
- Ketchup WRIN Number 04843-006

INSTALLATION

- Pre assembled and Ready To Mount Directly
- Onto Dual Sided UHC Table.
- Heavy Duty Full Length Slides Fitted For Easy Bag Changes.
- Bag Changes.
- Clean In Place Kit Included.
- Remote CO2 Source Required.

FEATURES

- 15 1/2" x 30" Section Mounted Under UHC Table.
- Product Saddle Slides Out For Easy Loading
- Dispenser Bracket Attaches To Outside Upper Face Of The UHC Cabinet.
- Approximate Ship Weight: 45 pounds



PERFECTION Equipment, Inc.

4259 Lee Avenue, Gurnee, Illinois 60031, Phone: 847-244-7200, Fax: 847-244-7205, Toll Free: 800-356-6301
Web Site: www.perfectequip.com, E-Mail: info@perfectequip.com

M:\Cut Sheets\McDonalds\MCD-UC2FF.pdf - 01/03/06

