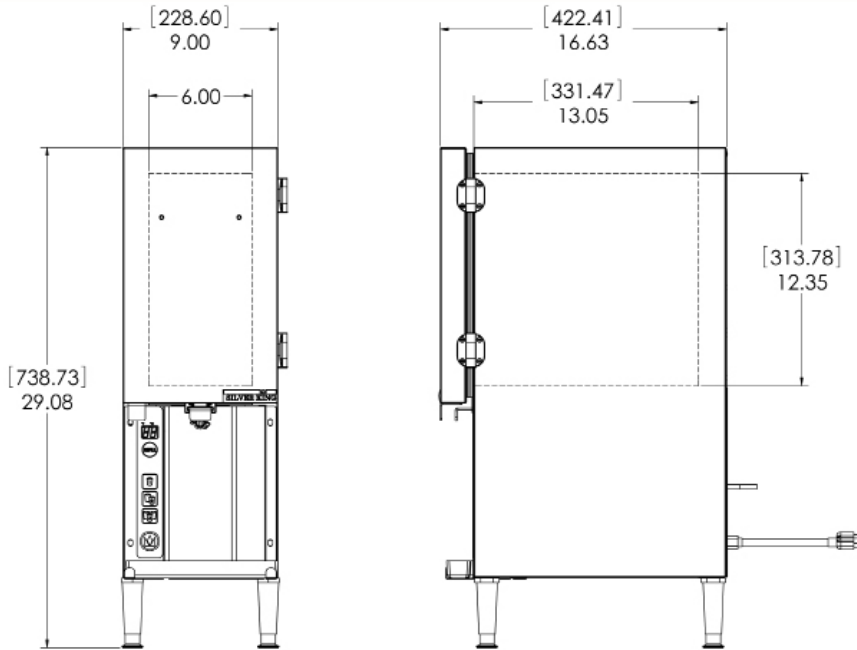


Portion Control Cream Dispenser

MODEL SKMCD1P



MODEL	LENGTH	DEPTH	HEIGHT	CAPACITY	NEMA PLUG	COMPRESSOR	AMPS	WEIGHT
SKMCD1P	9.0"	16.5"	29.08"	1 (5 LITER) BAG	5-15P	1/12TH HP	1.2	65 lbs.

Cabinet Design – Stainless steel exterior including shell, apron, back and door. Interior is also fully stainless steel construction. A product container is included which accepts a five liter prepackaged bag of product.

A removable drip tray is included.

The spring operated portion control dispensing valve is actuated by a solenoid valve and has three portion size buttons that are preset to dispense 3/8 oz., 3/4 oz. and 1 1/8 oz. shot sizes. The shot sizes are programmable via the touch pad interface on the front of the unit.

Refrigeration Design – Features a R134a hermetic refrigeration system with a capillary tube metering device, cold wall evaporator and hot wall condenser design. The dispenser utilizes a programmable temperature control with a digital temperature indicator on the front of the unit. Visual alarm notifies when unit is low on cream.

Warranty – Two year parts and labor warranty and five year compressor warranty.

ACCESSORIES

MODEL SKMCD1P

Now offering more options for your SILVER KING Creamer. The new drip tray has a high backsplash to make cleaning even easier. Keep stirring spoons organized and close by with the new under creamer bin. Available only in kits.



CREAMER BIN



DRIP TRAY



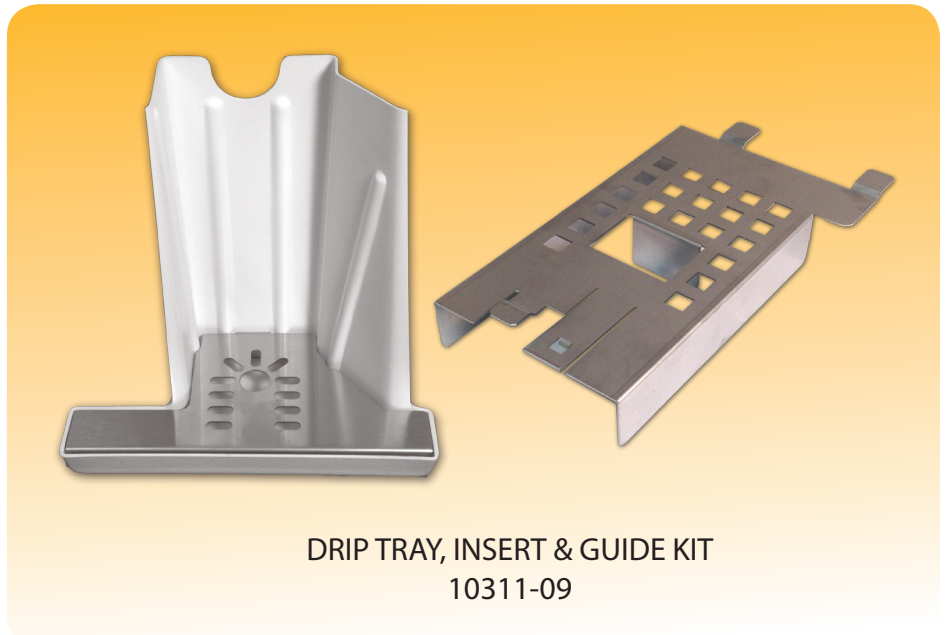
TRAY INSERT



BIN GUIDE



DRIP TRAY & INSERT KIT
10311-08



DRIP TRAY, INSERT & GUIDE KIT
10311-09