

BUNN®

5 Gallon Portion Control Dual Voltage Hot Water Machine

ITEM#

PROJECT

DATE

Features

5 Gallon Portion Control Hot Water Machine

- Locate hot water at preparation site to increase speed, safety and efficiency of kitchen staff.
- Prepare large amounts of mashed potatoes, gravy, cheese sauce, gelatin, oatmeal, and many more foods.
- Dispenses hot water in three portion sizes.
- Precise electronic temperature control (65°F-205°F) (18.3°C-96.1°C) ensures consistent water temperature.
- Three programmable volume settings and one push and hold continuous dispense button.
- Front of machine volume programming.



Model H5E-DV PC

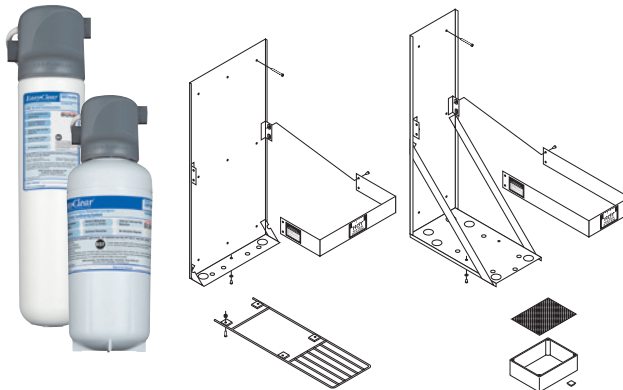
Dimensions: 28.4"H x 7"W x 15.5"D
(72.1cm H x 17.8cm W x 39.4cm D)

For current specification sheets and other information, go to www.bunn.com.

Related Products

Easy Clear® EQHP-10L
Product No. : 39000.0001

Easy Clear® EQHP-25L
Product No. : 39000.0002



1. Wall Mount Bracket (side)

Product No. : 12542.0000
Dimensions: 30" H x 13 1/2" W x 4 1/2" D
76.2 cm H x 34.29 cm W x 11.43 cm D

2. Wall Mount Bracket (front)

Product No. : 13125.0001
Dimensions: 30 1/2" H x 8 1/2" W x 15 1/4" D
77.47 cm H x 21.59 cm W x 38.74 cm D

3. Container Holding Shelf

Product No. : 12599.0000
Dimensions: 6 3/4" W x 21" D
17.15 cm W x 53.34 cm D

4. Drip Tray

Product No. : 02497.0000

Model

H5E-DV PC

Agency Listing



Patents Apply

10/09

E2a

Dimensions & Specifications

Model	Product #	Volts	Amps	Tank Heater Watts	Total Watts	°F Settings	Gal./Hr.† cold water input 35°	Gal./Hr.† hot water input 140°	Cubic Ft.	Shipping Weight	Cord Attached
H5E-DV PC	39100.0000	120	15.4	1800	1850	200°F*	3.7	8.1	4.0 ft ³	35 lbs.	No
		120/208	14.7	4000	3050		7.3	14.7			
		120/240	16.9	4000	4050		7.3	14.7			
H5E-DV PC	39100.0001	120	15.4	1800	1850	90°F*	8.1	n/a	4.0 ft ³	35 lbs.	No
		120/208	14.7	4000	3050		14.7	n/a			
		120/240	16.9	4000	4050		7.3	14.7			

Electrical: 120V, 20A models require 2-wires plus ground service, rated 120V, single-phase. If wired for 120/208V or 120/240V, requires 3 wires plus ground service rated 120/208V or 120/240V, single phase, 60Hz. Supplied strain relief on rear side of machine.

Plumbing: 20-90 psi (138-621 kPa). Machine supplied with 1/4" OD male flare fitting.

* Adjustable 65°F to 205°F.

† Based upon a maximum single dispense of 2 gallons per portion.

