



5 Gallon Portion Control Dual Voltage Hot Water Dispenser

ITEM#

PROJECT

DATE

Features

5 Gallon Portion Control Hot Water Dispenser

- Locate hot water at preparation site to increase speed, safety and efficiency of kitchen staff.
- Prepare large amounts of oatmeal and many more foods.
- Dispenses hot water in three portion sizes.
- Precise electronic temperature control (65°F-205°F) (18.3°C-96.1°C) ensures consistent water temperature.
- Three programmable volume settings and one push and hold continuous dispense button.
- Front of machine volume programming.
- 2 years parts and labor warranty.



H5E-DV PC

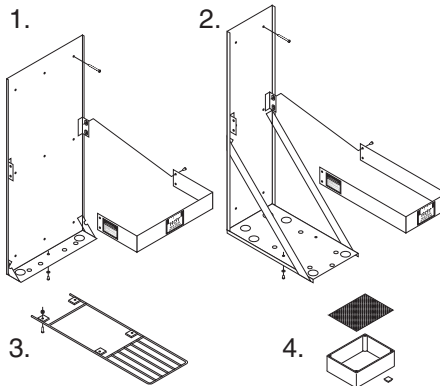
Dimensions: 28.4"H x 7"W x 15.5"D
(72.1cm H x 17.8cm W x 39.4cm D)

For current specification sheets and other information, go to www.bunn.com.

Related Products

Easy Clear® EQHP-10L
Product No. : 39000.0001

Easy Clear® EQHP-25L
Product No. : 39000.0002



1. Wall Mount Bracket (side)

Product No. : 12542.0000
Dimensions: 30" H x 13 1/2" W x 4 1/2" D
76.2 cm H x 34.29 cm W x 11.43 cm D

2. Wall Mount Bracket (front)

Product No. : 13125.0001
Dimensions: 30 1/2" H x 8 1/2" W x 15 1/4" D
77.47 cm H x 21.59 cm W x 38.74 cm D

3. Container Holding Shelf

Product No. : 12599.0000
Dimensions: 6 3/4" W x 21" D
17.15 cm W x 53.34 cm D

4. Drip Tray

Product No. : 02497.0001

Model

H5E-DV PC

Agency Listing



