



## Delfield Worktop Freezer

USA & CANADA  
MODEL



### Product Features:

- Top and bottom are constructed of 24-gauge galvanized steel. Exterior sides are .32 aluminum. Front housing is 22-gauge stainless steel.
- Unit is provided with hinged solid front door(s). Door exterior is constructed of 22-gauge stainless steel.
- High density foamed in place environmentally friendly, Kyoto Protocol Compliant, Non ODP (Ozone Depletion Potential), Non GWP (Global Warming Potential) polyurethane keeps energy costs low.
- Environmentally friendly, non-chlorine HFC, R404a refrigerant is used.
- Unit is supplied standard with a 10' cord and plug, attached.
- Galvanized back
- Optional casters available

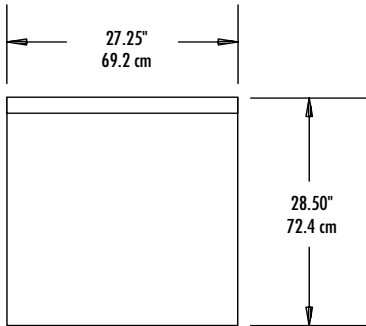
The Delfield worktop freezer is manufactured exclusively for McDonald's and provides efficient cold storage. This unit meets all of McDonald's standards for safety, efficiency and cleanliness.

Manufactured exclusively for McDonald's by  
**THE DELFIELD COMPANY**

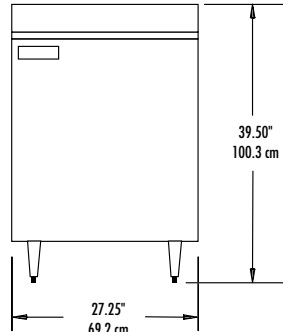


## Delfield Worktop Freezer

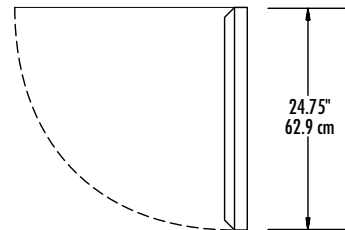
USA & CANADA  
MODEL



PLAN VIEW  
403



RIGHT END VIEW  
403

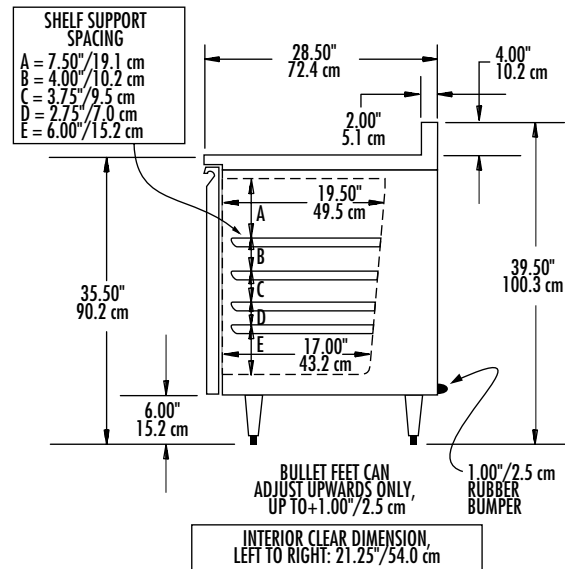


STANDARD DOOR HINGING IS ON RIGHT  
HINGING MAY BE REVERSED  
BUT A NEW DOOR IS REQUIRED

DOOR CLEARANCE DETAIL  
403

### INSTALLATION NOTE:

Refrigeration system is designed so that air will flow under the unit, through the compressor area, and out the top rear of the unit. Any restriction to this air flow path will void the warranties.



RIGHT END VIEW ALL MODELS

### MECHANICAL DATA

MODEL #	# OF SHELVES	SHELF AREA	STORAGE CAPACITY FT <sup>3</sup>	H.P	VOLTS/HERTZ PHASE	AMPS	SHIP WEIGHT	NEMA PLUG
403	2	7.2FT (.67m)	5.7ft (.16m)	1/4	115/60/1	5.8	184 LBS	5-15P
403-MD2	2	7.2FT (.67m)	5.7ft (.16m)	1/4	115/60/1	5.8	184 LBS	5-15P
403-MD1	2	7.2FT (.67m)	5.7ft (.16m)	1/4	115/60/1	5.8	184 LBS	5-15P

