

Ice/Beverage Series 1000C Remote Ice Cube Machine

with Patented CVD Technology®



Manitowoc



An Ice Machine Designed Specifically for Beverage Dispensers

Ice/Beverage Series IB-1000C ice machine - 115V
Servend SV-250 beverage dispenser
An "NSF Listed" Ice/Beverage Dispenser Combination



CVD Condensing Unit - 208-230V



- Narrow, small footprint enhances cleanability; allows for improved sanitation procedures for the ice storage area and beverage valves. Will not obstruct sight lines. Also allows for convenient manual loading of ice in dispenser to satisfy peak ice usage
- Can be installed or retrofitted to virtually any commercial beverage dispenser
- Only 14" (35.56 cm) deep, 22" (55.88 cm) wide, and 30.5" (77.47 cm) high
- Up to 1,000 lbs. (454 kgs.) daily ice production
- **CEE Tier 1 energy and water efficiency rating**
- Quiet operation eliminates most noise from the refrigeration system. Promotes relaxing atmosphere
- Stainless steel exterior with fit and finish of an appliance enhances any self-serve environment
- Patented built-in cleaning and sanitizing technology
- Ice machine is lighter in weight. 115 volt simplifies installation and maintenance
- CVD technology improves reliability and extends life of the compressor
- Ice/Beverage ice machines do not have stack-on capability
- Ice/Beverage QuietQube® series remote system consists of an ice machine head section, a CVD remote condensing unit, interconnecting refrigerant lines and a dispenser adapter. All ordered separately. Ice/Beverage QuietQube ice cube machine with CVD condensing unit is designed as a Manitowoc system and not for use with any other ice machine or remote condenser brand
- **Warranty**
5-year parts and 5-year labor coverage on ice machine evaporator
5-year parts and 3-year labor coverage on ice machine compressor
3-year parts-and-labor coverage on all other ice machine components



CEE  Energy Efficiency Ratings
Specified on Back

America's #1 Selling Ice Machine

Ice Cube & Flake Machines • Ice Storage Bins • Ice Dispensers

Manitowoc
Foodservice Group

Manitowoc Ice/Beverage IB-1000C Remote Series

REMOTE AIR-COOLED ICE MACHINE

| Model | Ice Shape | Ice Production 24 hours | | | | Power kWh/100 lbs. @90°/70° | | | |
|-----------|-----------|-------------------------|------|-------------------|------|-----------------------------|------------|------|------------|
| | | 70° Air/50° Water | | 90° Air/70° Water | | 1 Ph | CEE Rating | 3 Ph | CEE Rating |
| | | lbs. | kgs. | lbs. | kgs. | | | | |
| IB-1024YC | half-dice | 1,000 | 454 | 890 | 404 | 5.4 | Tier 1 | 5.4 | Tier 1 |
| IB-1022DC | dice | 980 | 445 | 890 | 404 | 5.4 | Tier 1 | 5.4 | Tier 1 |

Water usage/100 lbs./45.4 kgs. of Ice • Potable Water: 19 gallons, 72 liters

Ice machine for use with ice dispenser, CVD condensing unit and dispenser adapter. All ordered separately.

*kWh per 100 lbs. is total power of ice machine and condensing unit. Ice machine is 1 ph only.

Condensing unit is 1 ph or 3 ph.

Consortium for Energy Efficiency (CEE) is a North American nonprofit organization that promotes energy-efficient products, technologies and services; also the principal entity for the development of ice maker efficiency standards.



Certified in Accordance with ARI Automatic Commercial Ice-Cube Machines (Batch-Type) Certification Program, which is based on ARI Standard 810

| 24-HOUR PRODUCTION† | | | | | | lbs. kgs. | | |
|---------------------|----------------|------------|-----|-----------|------------|-----------|-----|-----|
| AIR-COOLED | HALF-DICE CUBE | | | DICE CUBE | | | | |
| | air temp | water temp | | air temp | water temp | | | |
| | °F | 50° | 70° | 90° | °F | 50° | 70° | 90° |
| | °C | 10° | 21° | 32° | °C | 10° | 21° | 32° |
| | -20° to 70° | 1,000 | 920 | 845 | 70° | 980 | 910 | 845 |
| -20° to 21° | 361 | 333 | 304 | 21° | 324 | 302 | 279 | |
| 80° | 950 | 905 | 808 | 80° | 948 | 900 | 818 | |
| 27° | 339 | 323 | 288 | 27° | 308 | 294 | 266 | |
| 90° | 900 | 890 | 770 | 90° | 915 | 890 | 790 | |
| 32° | 318 | 313 | 272 | 32° | 293 | 286 | 254 | |

†Production for Dice and Half Dice cubes. Regular cube is 7% less than chart and kWh/100 lbs. increases 7%.

Specifications

Operating Limits:

- Ambient Temperature Range: 35° to 110°F (1.67° to 43.3°C)
- Water Temperature Range: 35° to 90°F (1.67° to 32.2°C)
- Water Pressure Ice Maker Water In: Min. 20 psi (137.9 kPa) Max. 80 psi (551.1 kPa)
- Refrigerant: R-404A



Note: IB models are designed for use with an Ice/Beverage dispenser. Adapter required. Ordered separately. For attachment to ice storage bin, contact factory.

Ice Machine Electric

115/60/1 standard.

(230/50/1 also available, consult factory.)

Total amps: 1.4

Max. fuse size: 15 amps

HACR-type circuit breakers can be used in place of fuses.

AuCS® SO Accessory

Automatic Cleaning System purchased as an option and installed in the field.

2 Cube Sizes Available



Half Dice

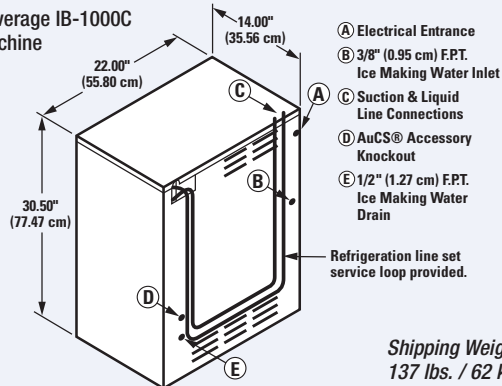
3/8" x 1 1/8" x 7/8"
(.95 x 2.86 x 2.22 cm)



Dice

7/8" x 7/8" x 7/8"
(2.22 x 2.22 x 2.22 cm)

Ice/Beverage IB-1000C Ice Machine



Shipping Weight: 137 lbs. / 62 kgs.

CVD-1185 REMOTE CONDENSING UNIT

Installation Information and Dimensions:

Maximum Line Length—100' (30.5 m).*

Maximum Vertical Rise*—35' (10.7 m) above ice machine.

Maximum Vertical Drop—15' (4.5 m) below ice machine.

*A rise over 20' (6 m) requires S-Trap Kit K-00172 - ordered separately.



Condensing Unit Electric

208-230/60/1 standard.

208-230/60/3 and 230/50/1 also available. 50 Hz version of this model meets the international standard, IEC335-1, requirements for "tropical rating," the most severe duty rating an ice machine can obtain, (consult factory).

HACR-type circuit breakers can be used in place of fuses.

Note: QuietCube ice machine is wired independent of CVD condensing unit.

Min. circuit ampacity: 15.7 1ph
10.8 3ph

Max. fuse size: 25 amps 1ph
15 amps 3ph

HACR-type circuit breakers can be used in place of fuses.

BTU Per Hour:

17,700 (average) 21,000 (peak)

Compressor:

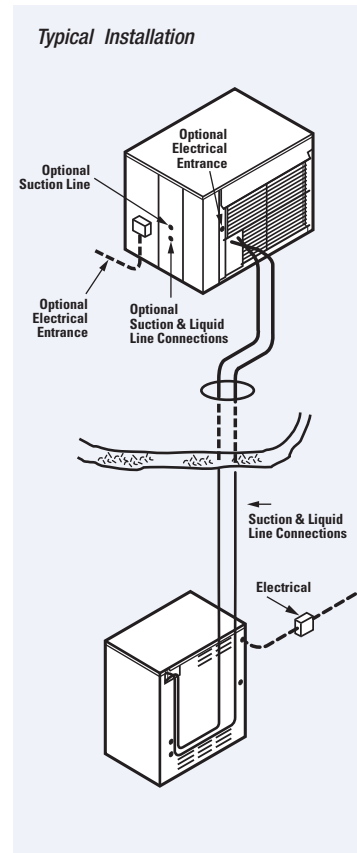
Nominal rating: 2 HP

Operating Limits:

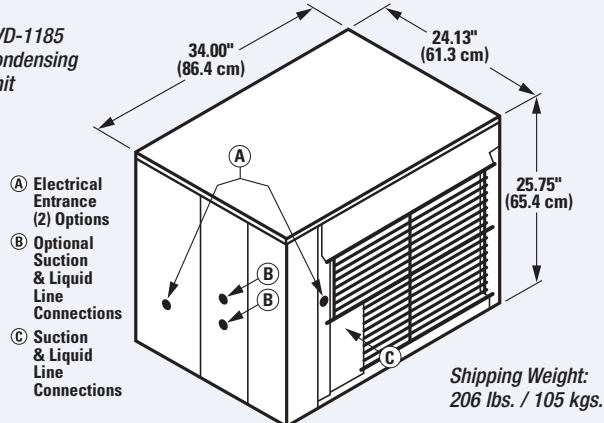
- Ambient Temperature Range: -20° to 120°F (-29° to 48.9°C)

Standard Interconnecting Tubing

| Model | Line Length | | Weight | |
|-------|-------------|----|--------|------|
| | ft. | m. | lbs. | kgs. |
| RC-20 | 20 | 6 | 12 | 5 |
| RC-30 | 30 | 9 | 20 | 9 |
| RC-50 | 50 | 15 | 28 | 13 |



CVD-1185 Condensing Unit



Look for the EnergyMizer™ mark and you'll know you're getting the most from every energy dollar spent on foodservice equipment. www.energymizer.com



MANITOWOC ICE, INC.
2110 South 26th Street, P.O. Box 1720
Manitowoc, WI 54221-1720, USA
Ph: 920-682-0161 • Fax: 920-683-7589
Visit us online at www.manitowocice.com



23833D ©2008 Manitowoc - 2/08. Continuing product improvement may necessitate change of specifications without notice.