

S-Series 600 Ice Cube Machine



SY-0604A Ice Machine
on B-570 Bin

- SANITATION**
We've made it simple to clean
- SAVINGS**
The perfect balance of power and efficiency
- SOUND**
Designed to run whisper-quiet
- SERVICEABILITY**
Easy access means less downtime

- Up to 650 lbs. (295 kgs.) daily ice production
- **Up to CEE Tier 2 energy and water efficiency rating**
- Only 30" (76.20 cm) wide
- Removable water distribution tube with no tools
- Food zone designed with soft, round, cove corners
- Patented cleaning and sanitizing technology
- Select components made with AlphaSan[®] antimicrobial
- Hinged front door for easy access
- Warranty
 - 5-year parts and 5-year labor coverage on ice machine evaporator
 - 5-year parts and 3-year labor coverage on ice machine compressor
 - 3-year parts-and-labor coverage on all other ice machine, dispenser, and storage bin components

America's #1 Selling Ice Machine
Ice Cube & Flake Machines • Ice Storage Bins • Ice Dispensers



Manitowoc S-Series 600

Model	Ice Shape	Ice Production 24 Hours				Power kWh/100 lbs. @ 90°/70°F	CEE* Rating	ENERGY STAR*
		70° Air/50°F Water		90° Air/70°F Water				
		lbs.	kgs.	lbs.	kgs.			
SY-0604A	half-dice	650	295	540	245	5.6	Tier 2	★
SY-0605W	half-dice	650	295	610	277	4.5	Tier 2	
SD-0602A	dice	650	295	540	245	5.6	Tier 2	★
SD-0603W	dice	650	295	610	277	4.5	Tier 2	
REMOTE AIR-COOLED WITH JC-0895A CONDENSER								
SY-0694N	half-dice	630	286	570	259	5.9	Tier 2	★
SD-0692N	dice	630	286	570	259	5.9	Tier 2	★
Water usage/100 lbs./45.4 kgs. of Ice								
Potable Water: 20 gallons, 76 liters • Water-cooled Condenser: 170 gallons, 643 liters								

Order ice storage bin separately. "A" or "W" following model number indicates "Air" or "Water" condensing unit. Ice storage bin and JC-0895A remote condenser must be ordered separately. Consult remote condenser specification sheet for details.

Consortium for Energy Efficiency (CEE) is a North American nonprofit organization that promotes energy-efficient products, technologies and services; also the principal entity for the development of ice maker efficiency standards.



Certified in Accordance with ARI Automatic Commercial Ice-Cube Machines (Batch-Type) Certification Program, which is based on ARI Standard 810

Ice Machine Electric

208-230/60/1 standard. (230/50/1 also available.)

Min. circuit ampacity: Air-cooled: 8.3 amps
Water-cooled: 7.9 amps
Remote: 8.9 amps

Max. fuse size: Air-cooled, Water-cooled, Remote: 15 amps
HACR-type circuit breakers can be used in place of fuses.

Specifications

BTU Per Hour:
9,000 (average) 13,900 (peak)

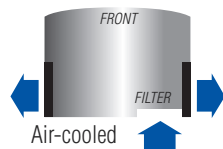
Compressor:
Nominal rating: 1 HP

Cupra-Nickel Condenser:
(Water-cooled models)
Adds protection from corrosive water elements.

Operating Limits:

- Ambient Temperature Range:
Air and water-cooled:
35° to 110°F (1.6° to 43.3°C)
Remote: -20° to 120°F (-29° to 49°C)
- Water Temperature Range:
35° to 90°F (1.6° to 32.2°C)
- Water Pressure Ice Maker Water In:
Min. 20 psi (137.9 kPa)
Max. 80 psi (551.1 kPa)
- Condenser Inlet Water In:
(Water-cooled only)
Min. 20 psi (137.9 kPa)
Max. 150 psi (1,034.2 kPa)

Air Flow Top View



AuCS@SI Accessory



Automatic Cleaning System purchased factory installed in the machine or as an option for field retrofit.

2 Cube Sizes Available

Half Dice
3/8" x 1 1/8" x 7/8"
(.95 x 2.86 x 2.22 cm)

Dice
7/8" x 7/8" x 7/8"
(2.22 x 2.22 x 2.22 cm)



Mixed Sources
Product group from well-managed forests, controlled sources and recycled wood or fiber
www.fsc.org Cert no. S11-COC-001886
© 1996 Forest Stewardship Council

We are committed to protecting the environment and its resources. For up-to-date product data always view an electronic version on our web site.



24-HOUR PRODUCTION †												lbs.	kgs.
AIR-COOLED UNIT				WATER-COOLED UNIT				REMOTE AIR-COOLED UNIT					
air temp	water temp			air temp	water temp			air temp	water temp				
°F	50°	70°	90°	°F	50°	70°	90°	°F	50°	70°	90°		
°C	10°	21°	32°	°C	10°	21°	32°	°C	10°	21°	32°		
70°	650	600	560	70°	650	630	590	-20° to 70°	630	580	550		
21°	295	272	254	21°	295	286	268	-29° to 21°	286	263	249		
80°	640	580	550	80°	640	620	580	90°	620	570	530		
27°	290	263	249	27°	290	281	263	32°	281	259	240		
90°	590	540	510	90°	630	610	580	100°	580	530	500		
32°	268	245	231	32°	286	277	263	38°	263	240	227		

†Production for Dice and Half Dice cubes. Data is published for 60 Hz machines. 50 Hz machines produce approximately 7% less ice.

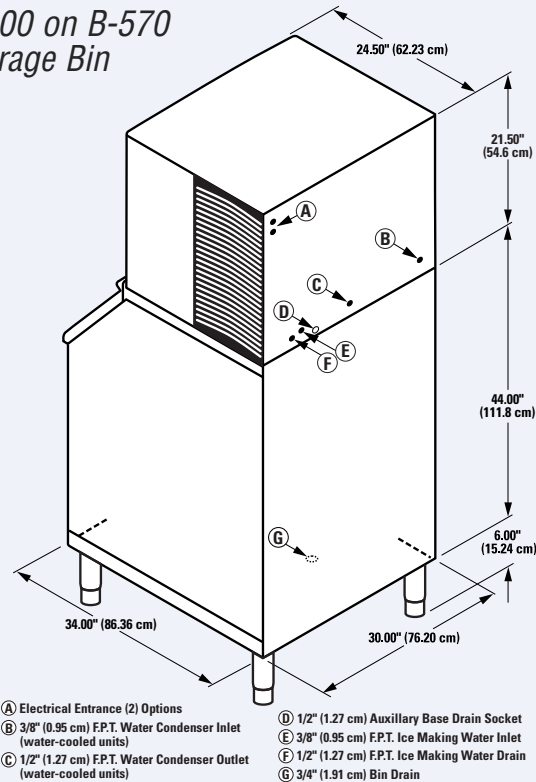
Space-Saving Designs



	S-600 B-400	S-600 B-570
Height	59.50" 151.13 cm	71.50" 181.61 cm
Width	30.00" 76.20 cm	30.00" 76.20 cm
Depth	34.00" 86.30 cm	34.00" 86.30 cm
Bin Storage	290 lbs. 131.7 kgs.	430 lbs. 195 kgs.

Height includes adjustable bin legs 6.00" to 8.00", (15.24 to 20.32 cm) set at 6.00" (15.24 cm). For comparison purposes, multiply ARI capacity by 1.3 (30%) to arrive at approximate "Application Rating Capacity."

S-600 on B-570 Storage Bin



Installation Note -

Minimum installation clearance* – Top/sides: 8" (20.32 cm); Back: 5" (12.7 cm).

*Air-Cooled 50 Hz models are CE "T" rated for tropical applications up to 43°C.
Minimum tropical rating installation clearance: Top: 24" (60.96 cm),
Sides/back: 12" (30.48 cm).

©2010 Manitowoc. 1/10 Continuing product improvement may necessitate change of specifications without notice. 3021F

MANITOWOC ICE
2110 South 26th Street, P.O. Box 1720
Manitowoc, WI 54221-1720, USA
Ph: 920-682-0161 • Fax: 920-683-7589
Visit us online at www.manitowocice.com

