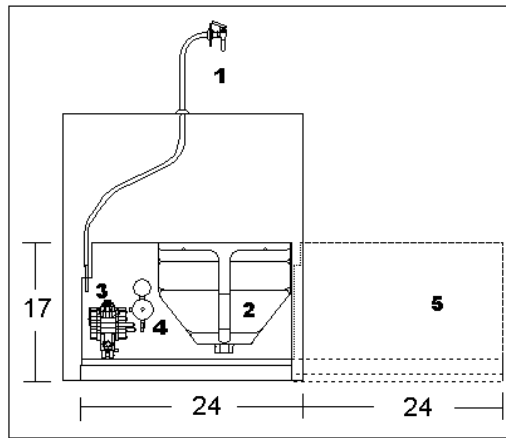


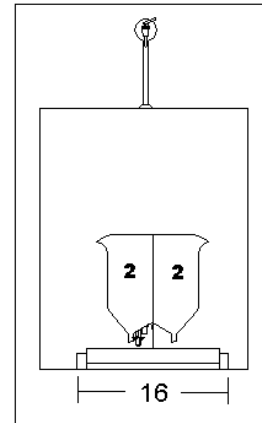


## McDonald's (FRONT OF HOUSE) KETCHUP DISPENSER MODEL MCD-1

(SINGLE DISPENSER-TWO PRODUCT BAGS)



SIDE VIEW WITH EXTENSION



FRONT VIEW

NUMBERS REFER TO DRAWING

1. **PT-1 9" Stainless Steel Gooseneck Dispenser with Perfection dispense Valve (1)**
2. **Plastic 3 Gallon Product Saddles (2)**
3. **Condiment Pump (1)**
4. **Low Pressure Regulator (1)**
5. **Outline of MCD-1 in Extended Position on 24" Slides**



### SYSTEM ALSO INCLUDES

Manual Changeover Valve(1)

Bag Connectors (2)

Round Red Ketchup Label (1)

Plastic Saddles, Pump, LP Regulator, Changeover Valve, Label, PT-1 and Bag Connectors to be Pre-fabricated and mounted on a 2 product Stainless Steel slide out cradle with 24" extended slides.

System comes complete with all necessary tubing and ancillary components for a complete installation. This includes a **Clean-in-Place** kit.

