

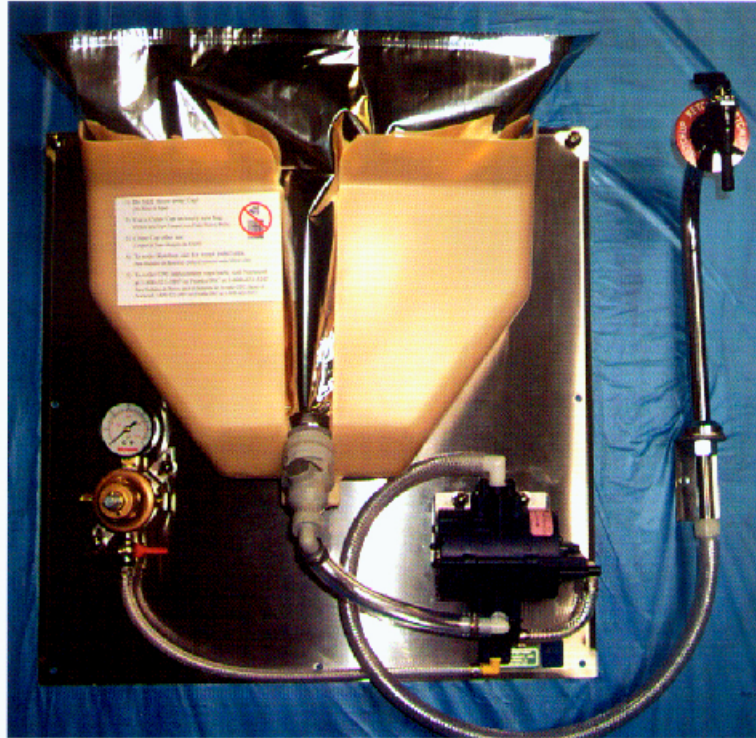
MCD-1FF

(BACK OF HOUSE)

PERFECTION



Perfection Equipment, Inc.
Perfecta Stainless Division



MCD-1FF

DESCRIPTION

The Fast-Fill Dispenser fills the Prince Castle Model 406-A Ketchup Dispenser.

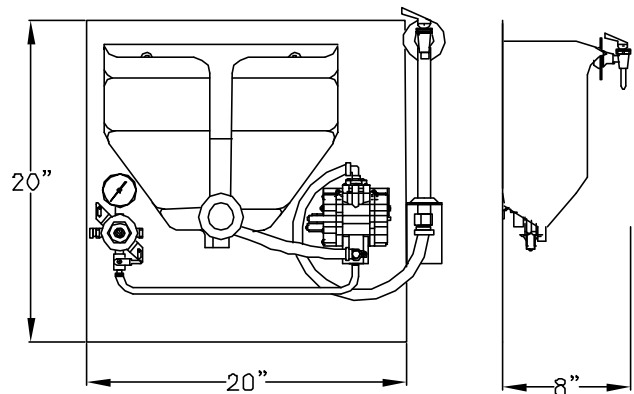
PERFORMANCE

Product: Ketchup
Packaging: 3-Gallon bag – Volpak
Prince Castle - Fill Time @ 65 PSI: 15 seconds
Prince Castle - Fill Time @ 30 PSI: 22 second
Achieves 98% evacuation of product from bag
Ketchup WRIN Number 04843-006

INSTALLATION

Ready to mount to the wall at the back of house
With Stainless Steel mounting plate. Includes
Clean-in-Place Kit. Remote CO₂ Source required.
(Optional high-pressure regulator available if CO₂
not accessible.)

Approximate Ship Weight: 25 pounds
Kay Chemical Tested and NSF Listed



PERFECTION Equipment, Inc.

4259 Lee Avenue, Gurnee, Illinois 60031, Phone: 847-244-7200, Fax: 847-244-7205, Toll Free: 800-356-6301
Web Site: www.perfectequip.com, E-Mail: info@perfectequip.com

M:\Cut Sheets \McDonalds\MCD-1FF.pdf - 03/24/06

